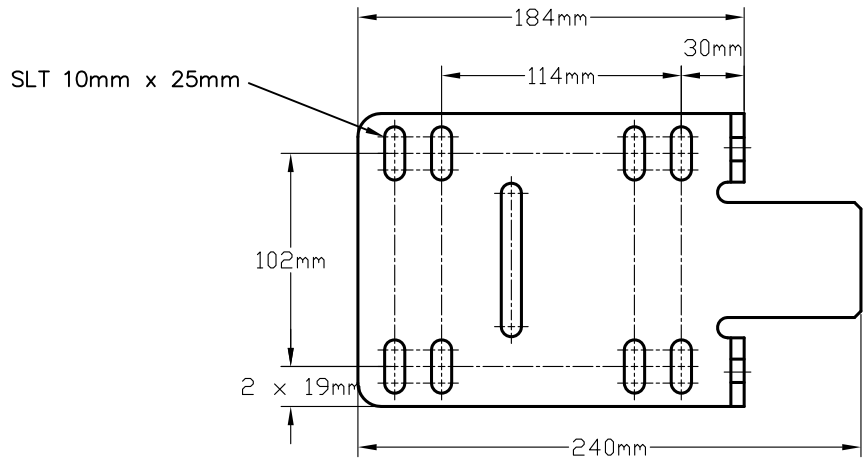
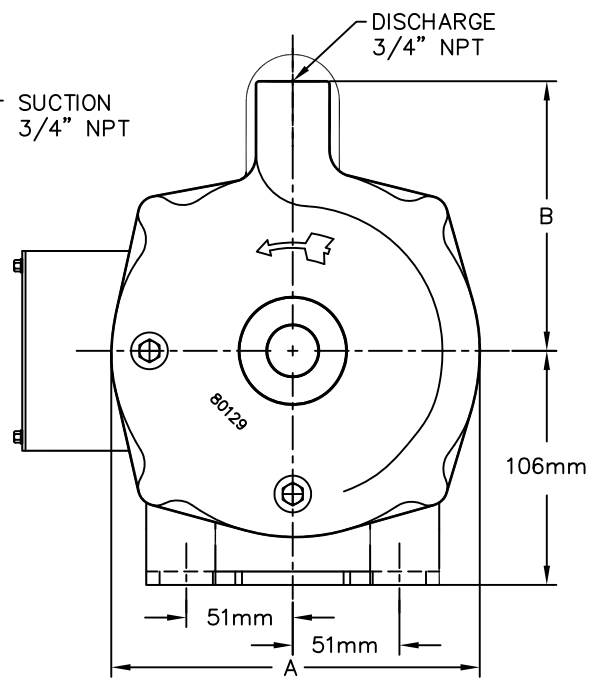
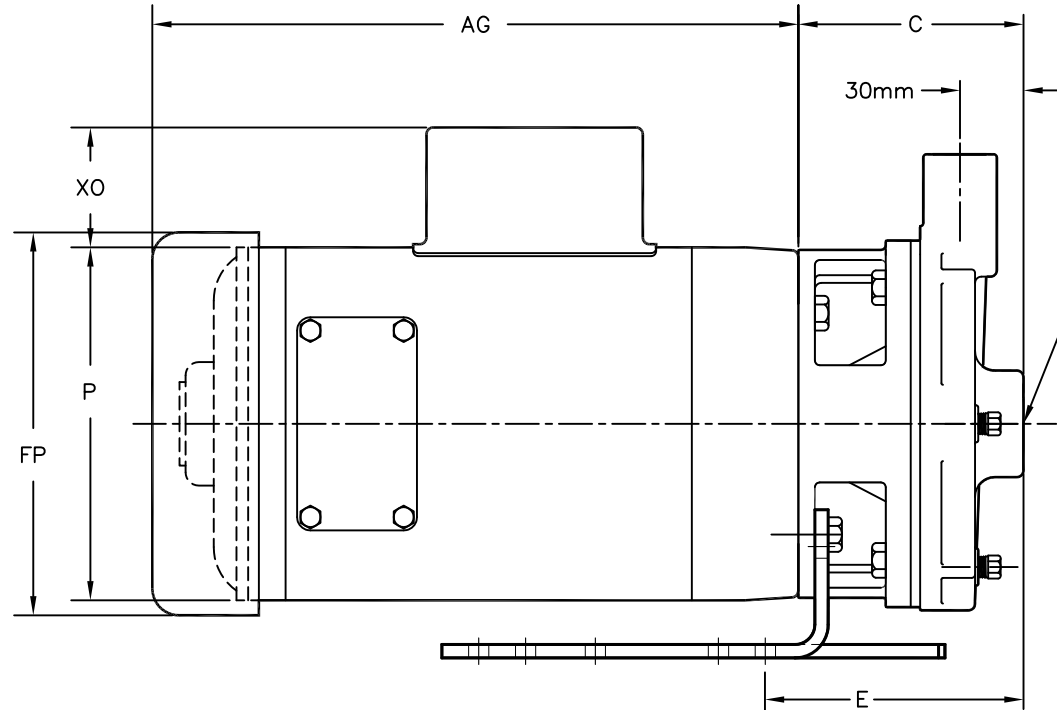


DESCRIPTION
 HP75 (Gasket Design) CLOSE COUPLED MOTOR PUMP ASSY (METRIC)

REF. NO.
 M-HP75

DATE
 8/30/07

REV.
 D

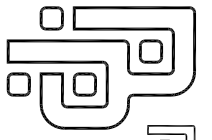


| MATERIAL | MODEL | A | B | C | E |
|----------|----------------|-----|-----|-----|-----|
| BRONZE | HP75BN/ HP75BS | 176 | 129 | 104 | 124 |
| KANIGEN | HP75KN/ HP75KS | 176 | 129 | 104 | 124 |
| CPVC | HP75CN/ HP75CS | 180 | 119 | 102 | 118 |

| HP | RPM | FRM | MOTOR END DIMENSIONS | | | |
|-------|------|-----|----------------------|-----|-----|-----|
| | | | AG | FP | O | X0 |
| 1/3 | 3600 | 56J | 216 | 156 | 137 | 52 |
| 1/2 | 3600 | 56J | 222 | 156 | 137 | 52 |
| 3/4 | 3600 | 56J | 235 | 183 | 175 | 52 |
| 1 | 3600 | 56J | 248 | 183 | 175 | 52 |
| 1 1/2 | 3600 | 56J | 267 | 183 | 175 | 52 |
| 2 | 3600 | 56J | 275 | 183 | 175 | 52 |
| 3 | 3600 | 56J | 281 | 183 | 175 | N/A |

NOTES UNLESS OTHERWISE SPECIFIED:
 2. ALL DIMENSIONS ARE GIVEN IN MILLIMETERS, ± 2mm.

NOTE:
 MOTOR DIMENSIONS WILL VARY BY MODEL AND MAKE,
 DIMENSIONS ARE TO BE USED FOR REFERENCE ONLY.



PRICE PUMP CO.

FACTORY FAX TRANSMITTAL DRAWING

21775 Eighth Street East
 Sonoma, CA 95476 (707) 938-8441
 707-FAX 938-0764