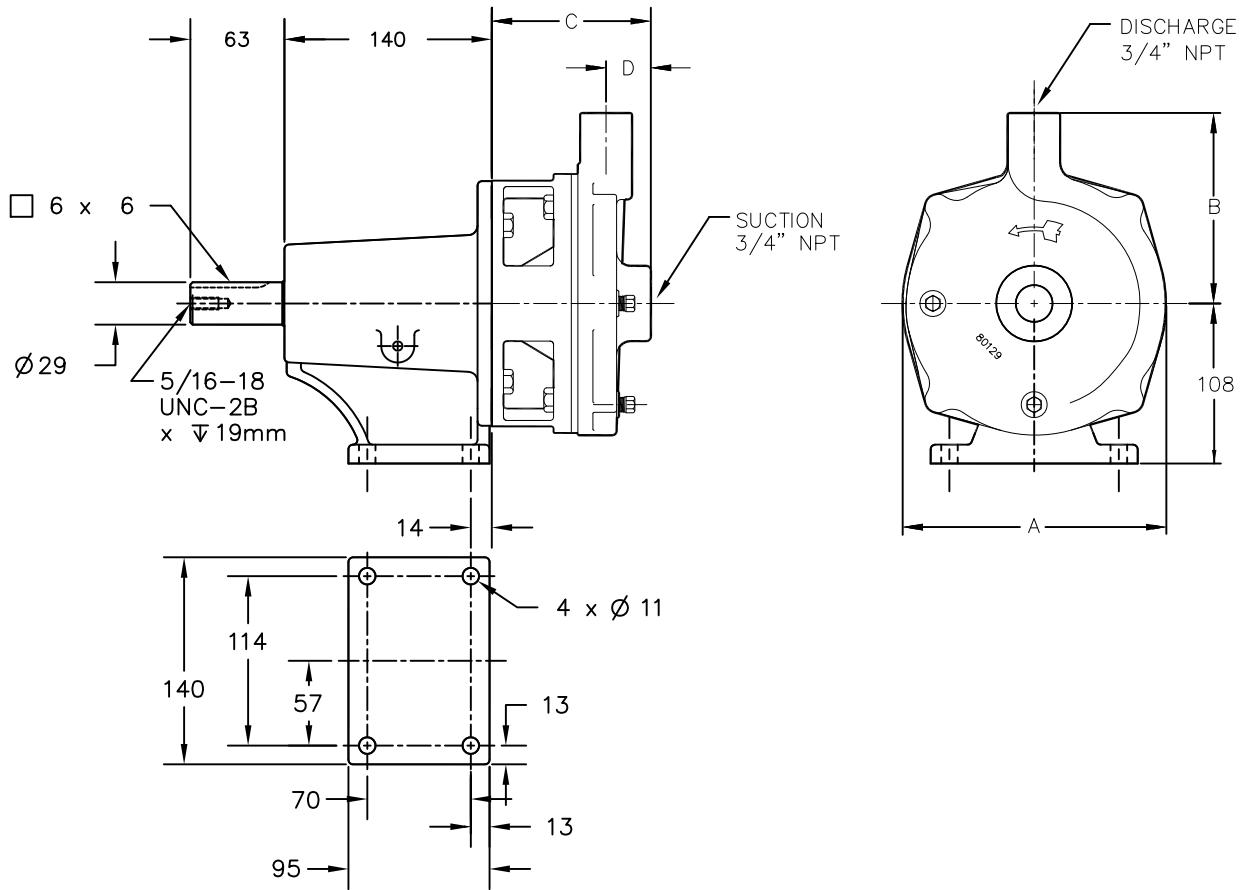




PRICE® PUMP CO.

HP 75 (GASKET DESIGN) POWER FRAME OUTLINE DRAWING METRIC

Effective: October 9, 2014



NOTE: ALL DIMENSIONS ARE GIVEN IN MILLIMETERS ± 2mm.

MATERIAL	MODEL	A	B	C	D
BRONZE	HP75BN/ HP75BS	176	129	104	30
KANIGEN	HP75KN/ HP75KS	176	129	104	30
CPVC	HP75CN/ HP75CS	180	119	102	30

Price® Pump Co.

21775 Eighth Street East * Sonoma, CA 95476-0329 * (707) 938-8441 * Fax (707) 938-0764