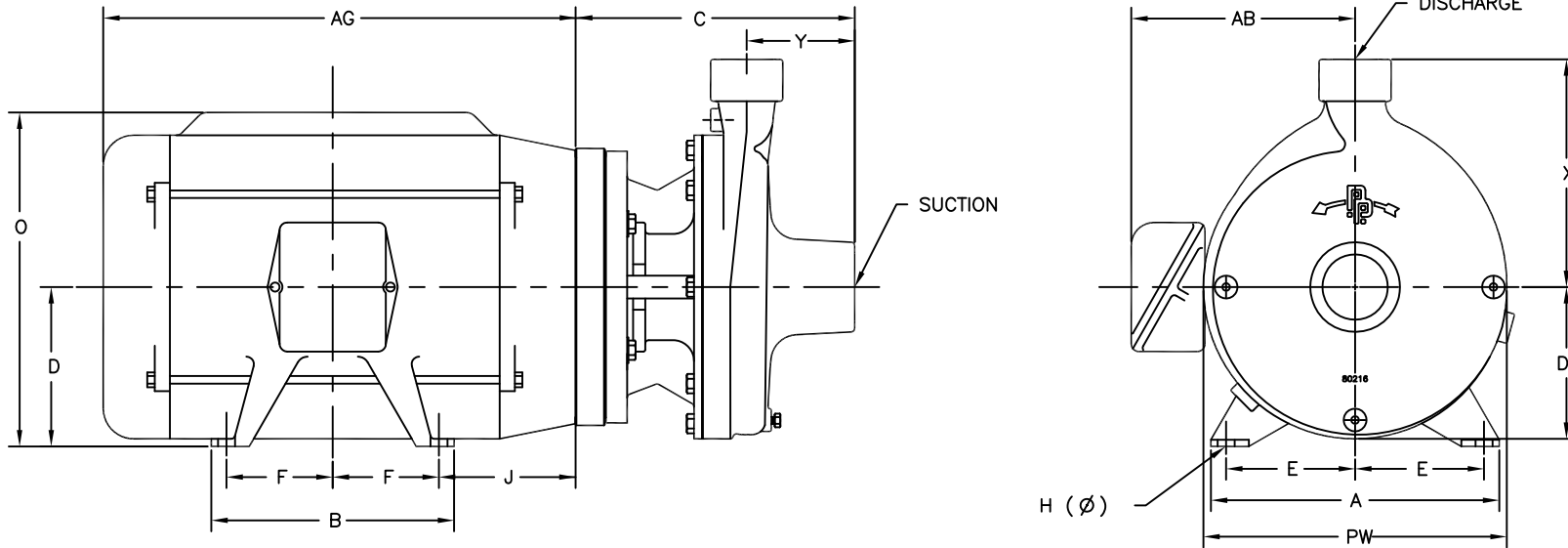


DESCRIPTION
JBSS CLOSE COUPLED MOTOR PUMP ASSY (METRIC)

REF. NO.
M-JBSS

DATE
1/25/93

REV.
A

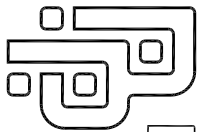


	PUMP END DIMENSIONS					PIPE THREADS IN INCH	
	PW	DD	X	C	Y	SUCTION	DISCHARGE
JB100	254	127	191	197	79	1-1/2"	1"
JB150	254	127	191	210	90	2"	1-1/2"
				235			
JB200	287	144	238	213	95	3"	2"
				238			

FRAME	MOTOR END DIMENSIONS							DRIP-PROOF			TEFC & EXP. PROOF		
	A	B	D	E	F	H	J	AB	AG	O	AB	AG	O
143JM	165	152	89	70	51	9	41	133	222	175	171	286	175
145JM					64								
182JM	216	165	114	95	57	10	57	149	283	229	187	375	216
184JM					70								
213JM	241	203	133	108	70	10	83	187	324	256	248	394	264
215JM					89							432	
254JM	286	241	159	127	105	13	114	227	406	305	279	533	330
256JM		298			127				445				

NOTE: MOTOR DIMENSIONS WILL VARY BY MODEL AND MAKE. DIMENSIONS ARE TO BE USED FOR REFERENCE ONLY.

- NOTES:
 1. FOR ENGINEERING PURPOSES, PUMP JB150 AND MOTOR 215JM HAVE BEEN USED TO CREATE DRAWING.
 2. ALL DIMENSIONS ARE GIVEN IN MILLIMETERS, ±2MM.



PRICE PUMP CO.

FACTORY FAX TRANSMITTAL DRAWING

21775 Eighth Street East
 Sonoma, CA 95476 (707) 938-8441
 707-FAX 938-0764