

DESCRIPTION

LT25 AB/SS CLOSE COUPLED MOTOR PUMP ASSY (METRIC)

REF. NO.

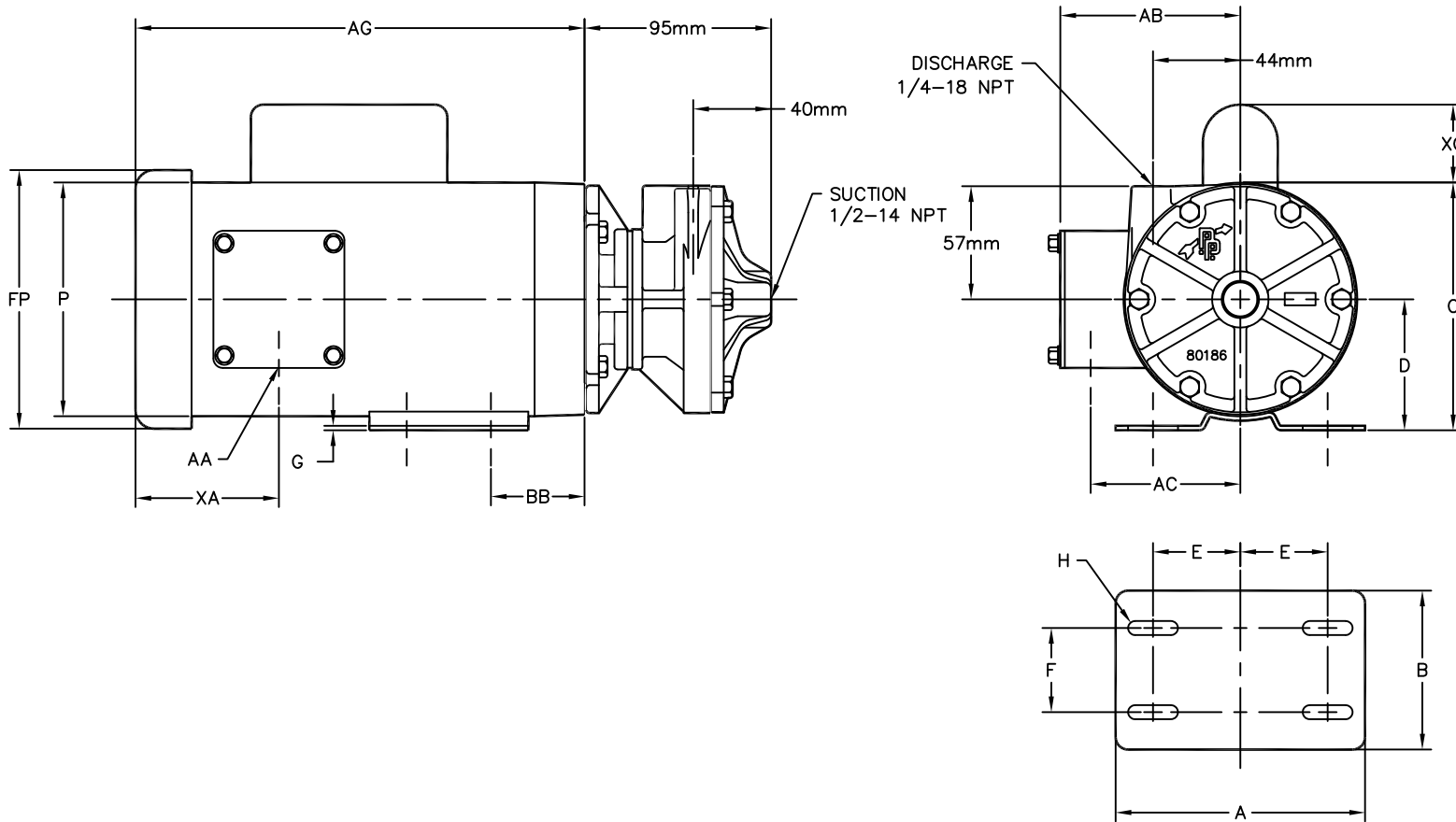
M-LT25H

DATE

2/17/04

REV.

A



MOTOR FRAME DIMENSIONS

P/N	TYPE	PH	HP	AA	A	B	D	E	F	G	H (SLOT)	O	P	AB	AC	AG	BB	FP	XA	XO
1438	OPEN, DRIP PROOF	1/60	1/3	1/2" NPT	145	102	76	54	70	2	25 x 9	148	143	N/A	29	254	53	N/A	27	39
1608	TOTALLY-ENCLOSED	1/60	1/8	17 HOLE	127	81	67	44	43	3	25 x 7	127	119	103	76	210	48	126	73	40
1439	TOTALLY-ENCLOSED	1/60	1/3	22 HOLE												235		132		
1440	TOTALLY-ENCLOSED	3/60	1/3	1" NPT	143	102	76	54	70	3	25 x 9	155	146	104	35	308	64	157	60	N/A
1442	EXPLOSION PROOF	3/60	1/3	283												283				

NOTES:

- MOTOR FRAMES WILL VARY IN LOOK, PER PART NUMBER.
- MOTOR P/N INDICATES PRICE PUMP CO. PART NUMBER, AND HAS NO SIMILARITY WITH MANUFACTURER PART NUMBERS.
- ALL DIMENSIONS ARE GIVEN IN MILLIMETERS, ± 2 mm.

PRICE PUMP CO.

FACTORY FAX TRANSMITTAL DRAWING

21775 Eighth Street East
 Sonoma, CA 95476-0329
 FAX: (707) 938-0764

(707) 938-8441