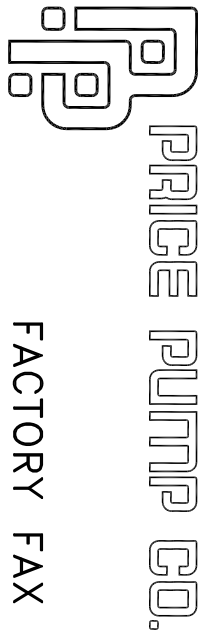


DESCRIPTION  
LT25 SS/BR POWER FRAME ASSEMBLY METRIC

REF. NO.  
M-LT25PF

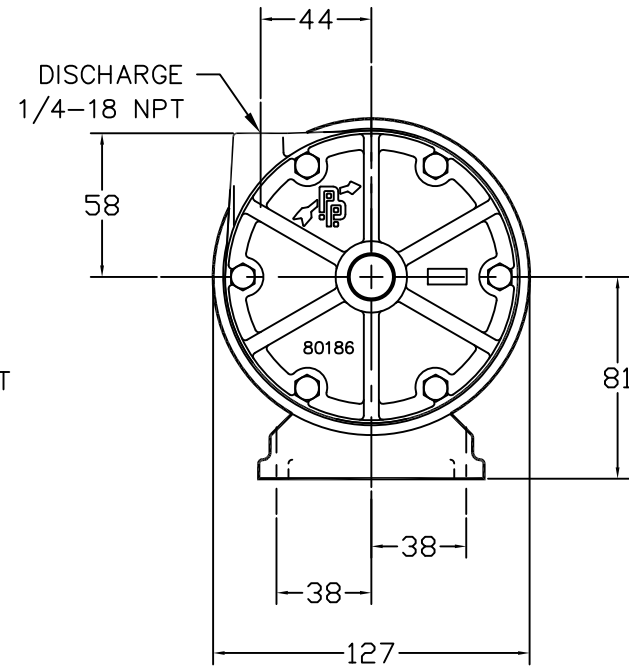
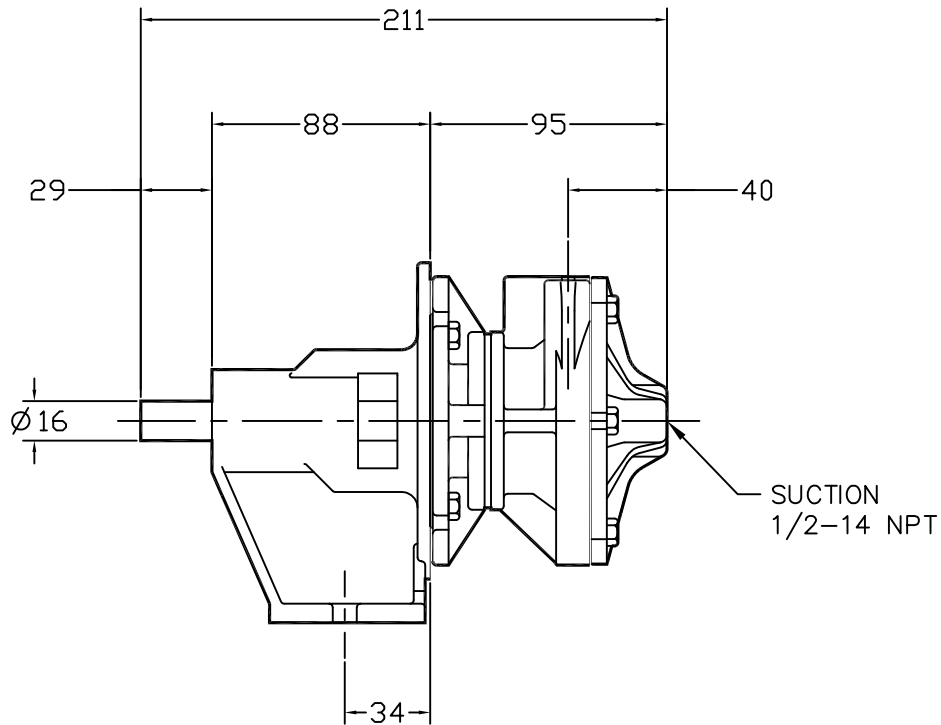
DATE  
11/19/14

REV.  
—



FACTORY FAX TRANSMITTAL DRAWING

21775 Eighth Street East  
Sonoma, CA 95476 (707) 938-8441  
707-FAX 938-0764



NOTE. ALL DIMENSIONS ARE GIVEN IN MILLIMETERS,  $\pm 2\text{mm}$ .