



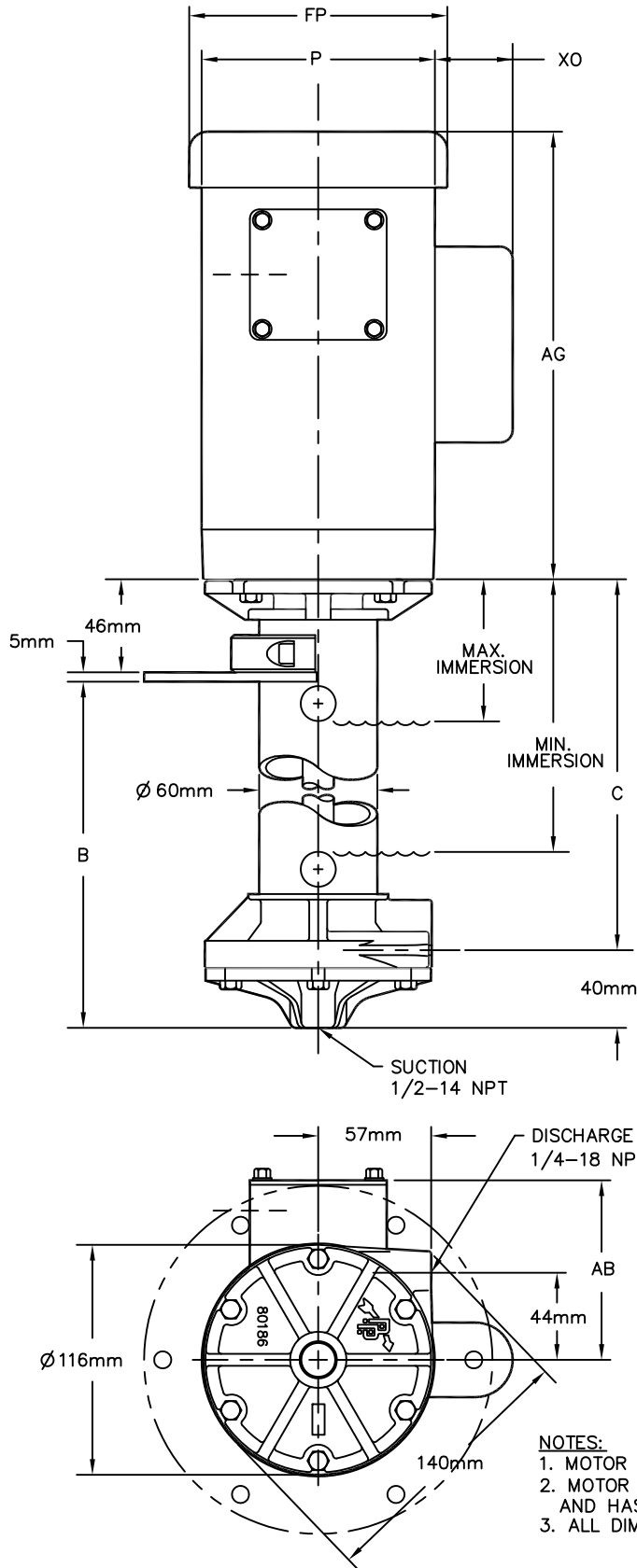
FACTORY FAX TRANSMITTAL DRAWING

REV. B

DATE 1/18/93

REF. NO. M-LT25V

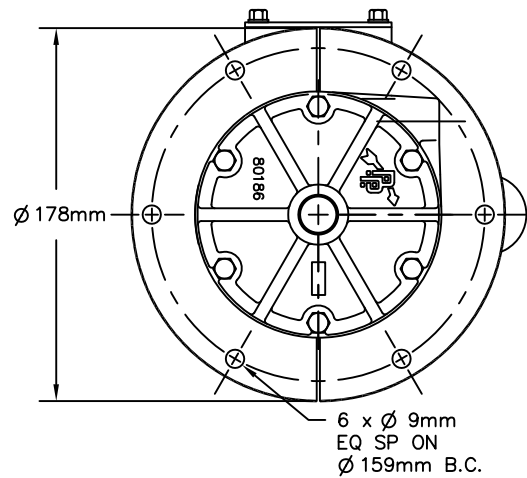
DESCRIPTION  
 LT25 VERTICAL SS MOTOR PUMP ASSEMBLY (METRIC)



MOTOR FRAME DIMENSIONS

P/N	TYPE	PH	P	AB	AG	FP	XO
1438	ODP	1/60	143	N/A	254	N/A	39
1608	TEFC	1/60	119	103	210	126	40
1439		1/60			235		
1440		3/60					
1441	EXP	1/60	146	104	308	157	N/A
1442		3/60			283		

COLUMN DIMS		IMMERSIONS	
B	C	MAX	MIN
179	191	73	127
319	330		267
497	508		445



MOUNTING PLATE DETAIL

- NOTES:
1. MOTOR FRAMES WILL VARY IN LOOK, PER PART NUMBER.
  2. MOTOR P/N INDICATES PRICE PUMP CO. PART NUMBER, AND HAS NO SIMILARITY WITH MANUFACTURER PART NUMBERS.
  3. ALL DIMENSIONS ARE GIVEN IN MILLIMETERS, ± 2mm.