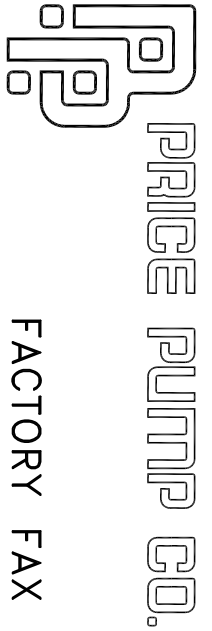


DESCRIPTION
MS50SS CLOSE COUPLED MOTOR PUMP ASSEMBLY (METRIC)

REF. NO.
M-MS50SS

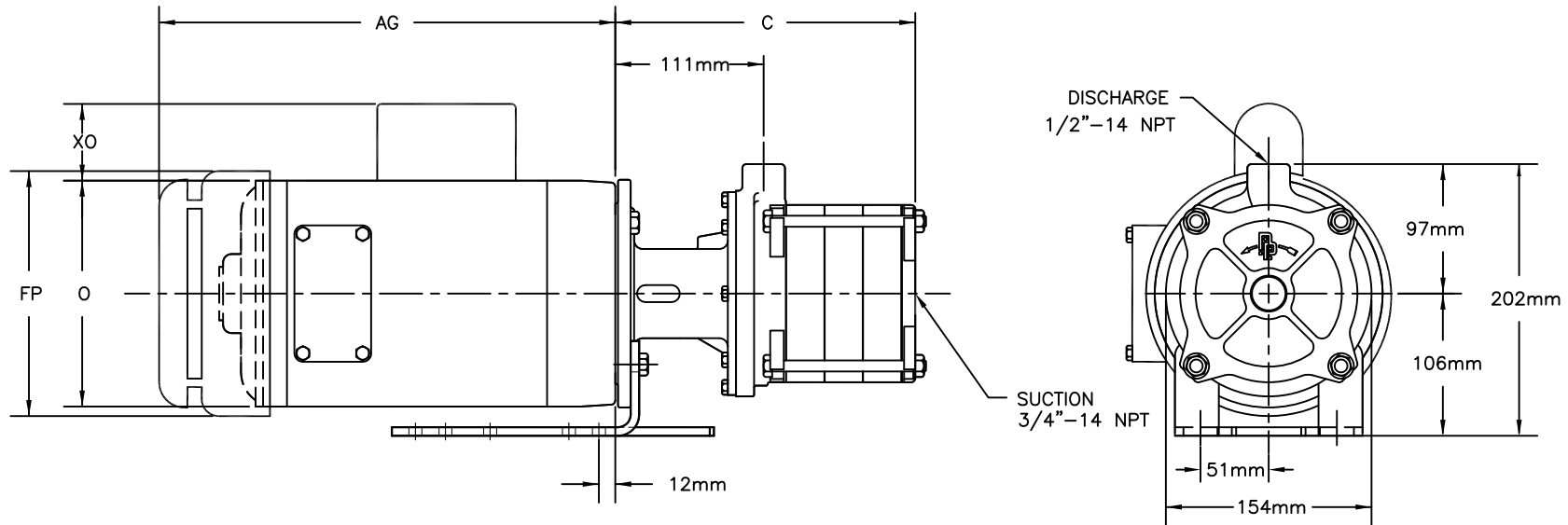
DATE
8/31/07

REV.
B



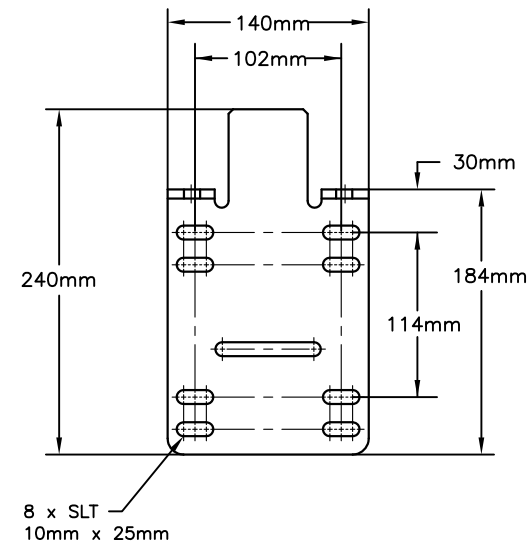
FACTORY FAX TRANSMITTAL DRAWING

21775 Eighth Street East
Sonoma, CA 95476 (707) 938-8441
707-FAX 938-0764



MOTOR END DIMENSIONS						
HP	RPM	FRM	AG	FP	O	XO
1/4	1800	56C	197	156	137	52
1/3	1800	56C	210	156	137	52
1/2	1800	56C	222	156	137	52
1/3	3600	56C	216	156	137	52
1/2	3600	56C	222	156	137	52
3/4	3600	56C	235	156	137	52
1	3600	56C	248	156	137	52
1 1/2	3600	56C	267	183	175	57
2	3600	56C	283	183	175	57
3	3600	56C	314	183	175	57
5	3600	184C	345	216	216	57

PUMP LENGTH		
MODEL	STAGES	C
1MS50-SS-33	1 STAGE	137mm
2MS50-SS-75	2 STAGE	165mm
3MS50-SS-100	3 STAGE	194mm
4MS50-SS-150	4 STAGE	222mm
5MS50-SS-200	5 STAGE	251mm
6MS50-SS-300	6 STAGE	279mm



NOTE:
MOTOR DIMENSIONS WILL VARY BY MODEL AND MAKE,
DIMENSIONS ARE TO BE USED FOR REFERENCE ONLY.

NOTE:
ALL DIMENSIONS ARE GIVEN IN MILLIMETERS, ± 2mm.