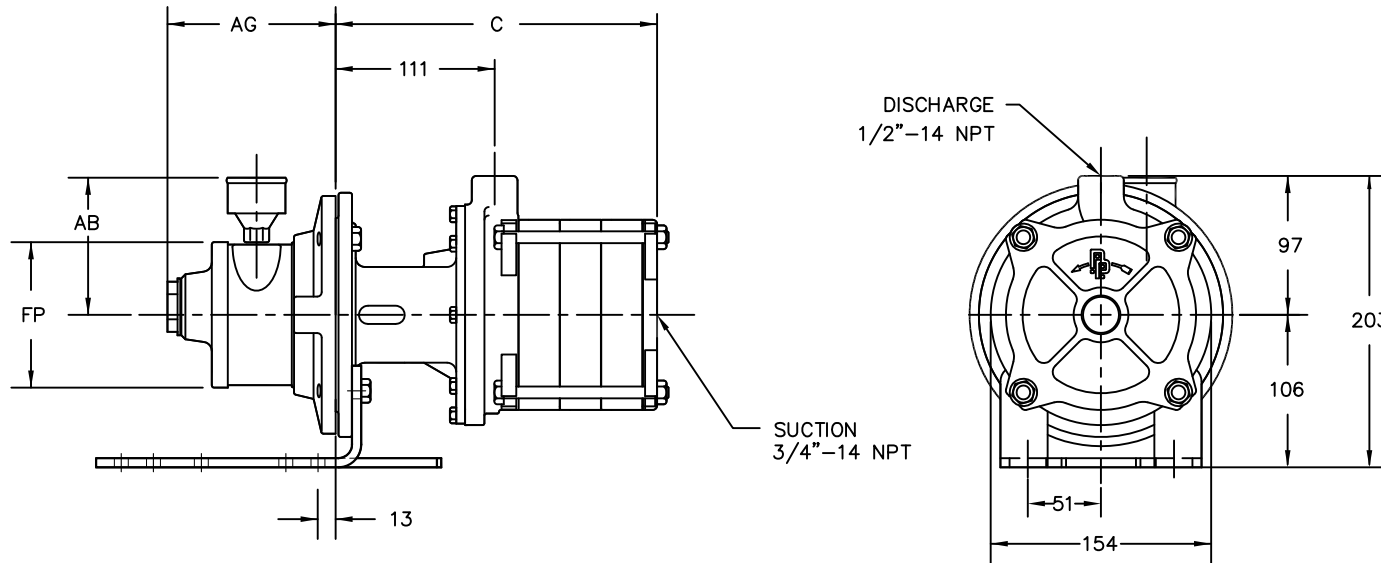


DESCRIPTION
MS50-SS AIR MOTOR PUMP ASSEMBLY (METRIC)

REF. NO.
M-MSAIR

DATE
11/20/14

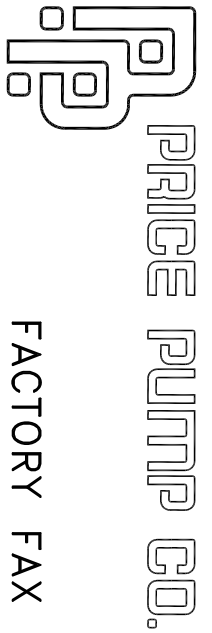
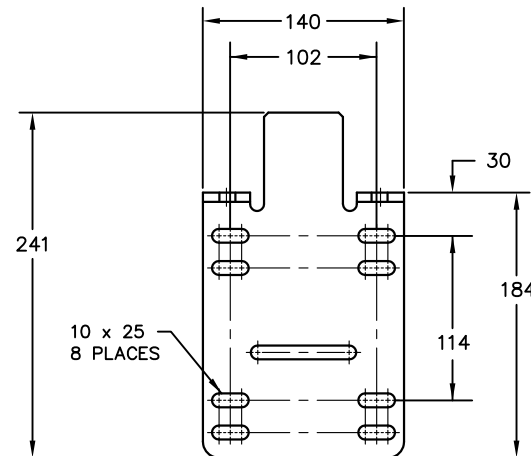
REV.
-



MOTOR END DIMENSIONS			
MODEL NO.	AG	FP	AB
2AM-NCC-43A	95	102	95
4AM-NRV-50C	117	102	95
6AM-NRV-11A	157	127	52

NOTE:
MOTOR DIMENSIONS WILL VARY BY MODEL AND MAKE,
DIMENSIONS ARE TO BE USED FOR REFERENCE ONLY.

PUMP LENGTH: (IN INCHES)		
MODEL	STAGES	C
1MS50-SS-33	1 STAGE	137
2MS50-SS-75	2 STAGE	165
3MS50-SS-100	3 STAGE	194
4MS50-SS-150	4 STAGE	222
5MS50-SS-200	5 STAGE	251
6MS50-SS-300	6 STAGE	279



FACTORY FAX TRANSMITTAL DRAWING

21775 Eighth Street East
Sonoma, CA 95476 (707) 938-8441
707-FAX 938-0764

NOTE: ALL DIMENSIONS ARE GIVEN IN MILLIMETERS, ± 2mm.