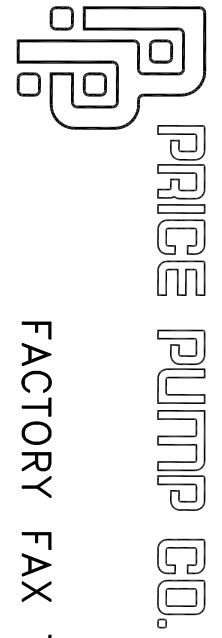


DESCRIPTION
RC200/300 POWER FRAME ASSEMBLY (METRIC)

REF. NO.
M-RCPF

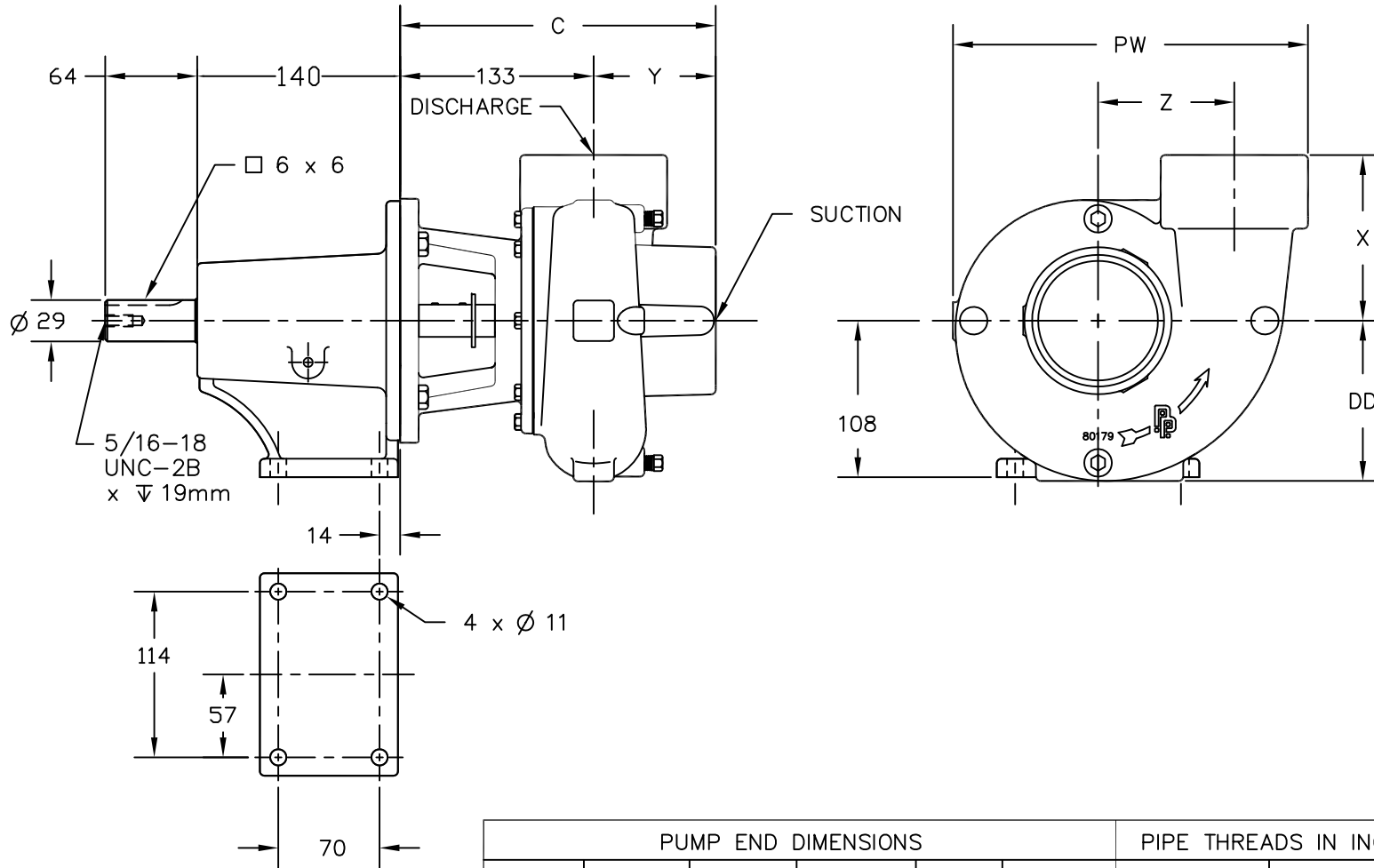
DATE
12/22/14

REV.
-



FACTORY FAX TRANSMITTAL DRAWING

21775 Eighth Street East
Sonoma, CA 95476 (707) 938-8441
707-FAX 938-0764



	PUMP END DIMENSIONS						PIPE THREADS IN INCH	
	C	Y	PW	Z	X	DD	SUCTION	DISCHARGE
RC200	206	73	181	64	95	89	2" NPT	2" NPT
RC300	217	84	244	94	114	111	3" NPT	3" NPT

NOTE: ALL DIMENSIONS ARE GIVEN IN MILLIMETERS ± 2mm.
FOR ENGINEERING PURPOSES PUMP RC300 HAS BEEN USED TO CREATE DRAWING.