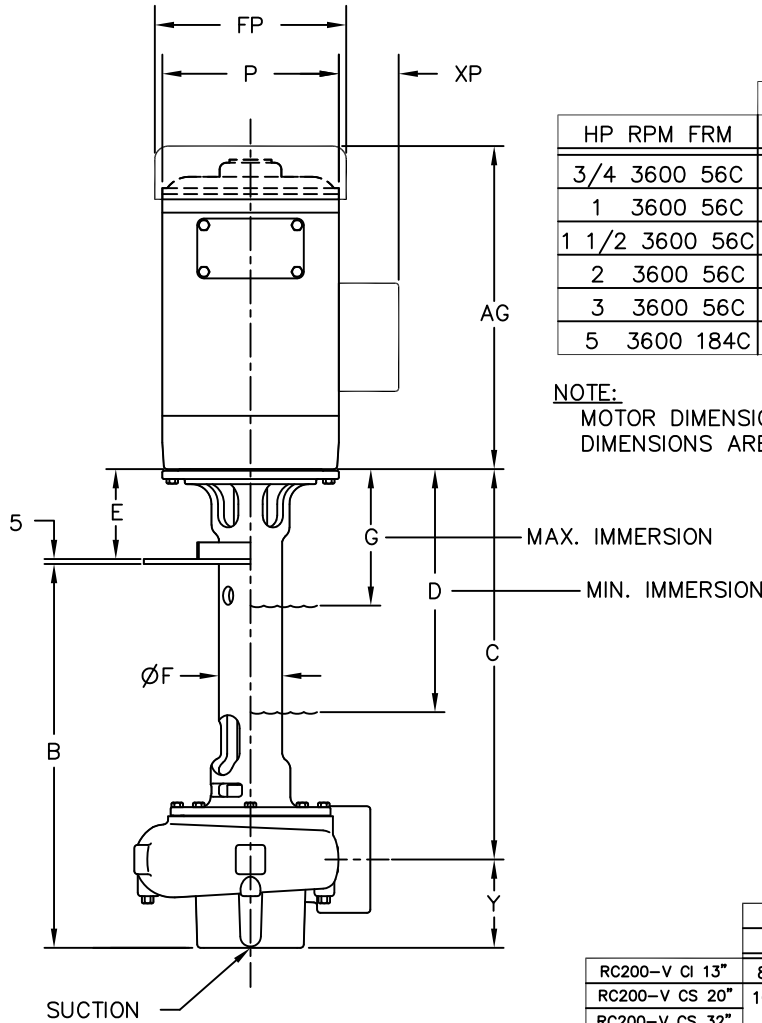




FACTORY FAX TRANSMITTAL DRAWING

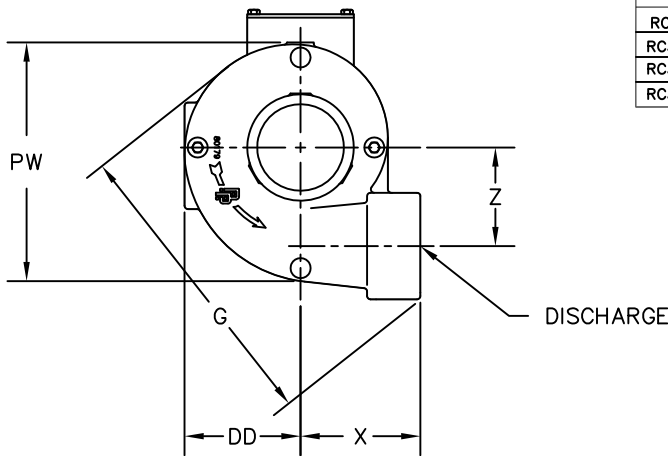
REV. —
 DATE 12/22/14
 REF. NO. M-RCVCI

DESCRIPTION
 RC200/300 VERTICAL CI PUMP ASSEMBLY (METRIC)



				MOTOR END DIMENSIONS			
HP	RPM	FRM		AG	FP	P	XP
3/4	3600	56C		235	183	175	52
1	3600	56C		248	183	175	52
1 1/2	3600	56C		267	183	175	57
2	3600	56C		283	183	175	57
3	3600	56C		314	183	175	57
5	3600	184C		344	216	210	57

NOTE:
 MOTOR DIMENSIONS WILL VARY BY MODEL AND MAKE;
 DIMENSIONS ARE TO BE USED FOR REFERENCE ONLY.



	COLUMN DIMENSIONS				IMMERSION	
	E	B	C	F	MIN. D	MAX. G
RC200-V CI 13"	86	298	354	60	232	130
RC200-V CS 20"	102	460	531	64	458	125
RC200-V CS 32"		765	836		765	
RC200-V CS 44"		1120	1141		1068	
RC300-V CI 13"	86	322	357	60	232	130
RC300-V CS 20"	102	484	535	64	458	125
RC300-V CS 32"		789	840		765	
RC300-V CS 44"		1081	1144		1068	

	PUMP END DIMENSIONS							PIPE THREADS	
	B	G	DD	PW	X	Y	Z	SUCTION	DISCHG
RC200-V	354	222	89	181	95	73	64	2"	2"
RC300-V	366	292	111	233	114	84	95	3"	3"

NOTE: ALL DIMENSIONS ARE GIVEN IN MILLIMETERS ± 2mm.