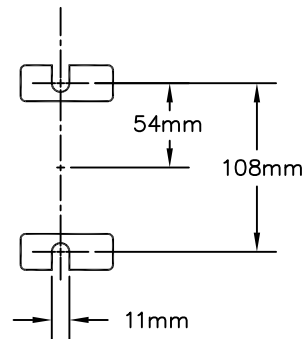
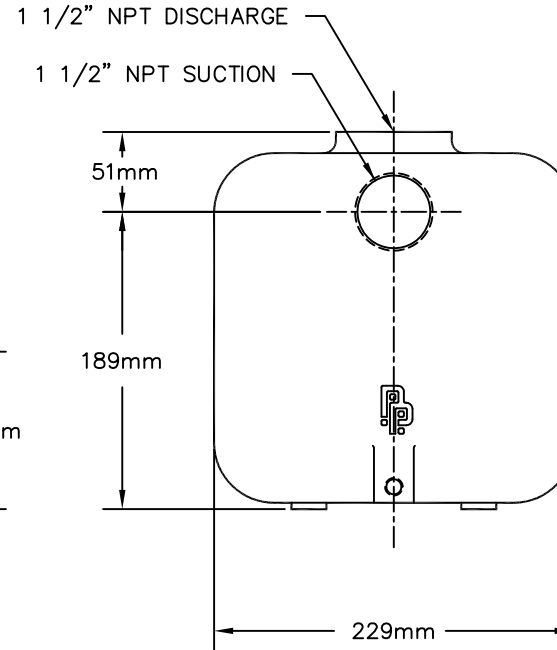
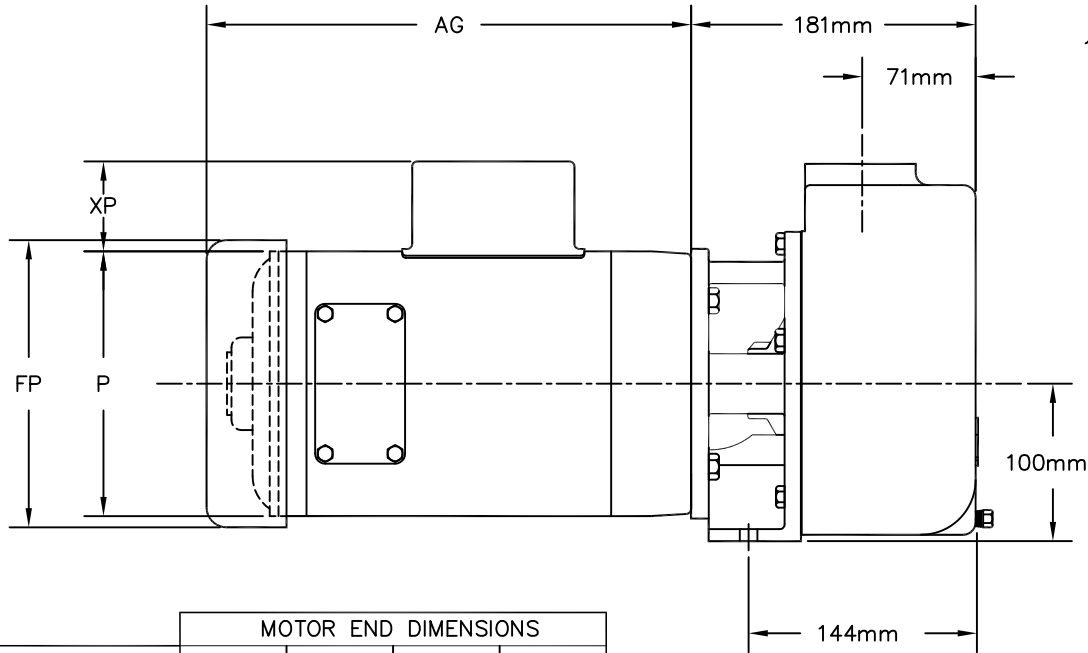


DESCRIPTION  
 SP150 SS/CI CLOSE COUPLED MOTOR PUMP ASSY (METRIC)

REF. NO.  
 M-SP

DATE  
 1/22/93

REV.  
 A



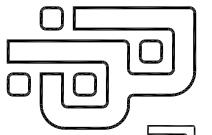
MOTOR END DIMENSIONS

HP	RPM	FRM	AG	FP	O	XP
1/4	1800	56C	197	156	137	52
1/3	1800	56C	210	156	137	52
1/2	1800	56C	222	156	137	52
1/3	3600	56C	216	156	137	52
1/2	3600	56C	222	156	137	52
3/4	3600	56C	235	156	137	52
1	3600	56C	248	156	137	52
1 1/2	3600	56C	267	183	175	57
2	3600	56C	283	183	175	57
3	3600	56C	314	183	175	57



NOTE:

1. MOTOR DIMENSIONS WILL VARY BY MODEL AND MAKE, DIMENSIONS ARE TO BE USED FOR REFERENCE ONLY.
2. ALL DIMENSIONS ARE GIVEN IN MILLIMETERS,  $\pm 2$ mm.
3. DIMENSION "XP" APPLIES TO SINGLE PHASE MOTORS ONLY.



PRICE PUMP CO.

FACTORY FAX TRANSMITTAL DRAWING

21775 Eighth Street East  
 Sonoma, CA 95476 (707) 938-8441  
 707-FAX 938-0764