

DESCRIPTION

RC200/300 POWER FRAME ASSEMBLY

REF. NO.

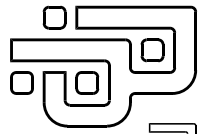
O-RC-PF

DATE

9-23-91

REV.

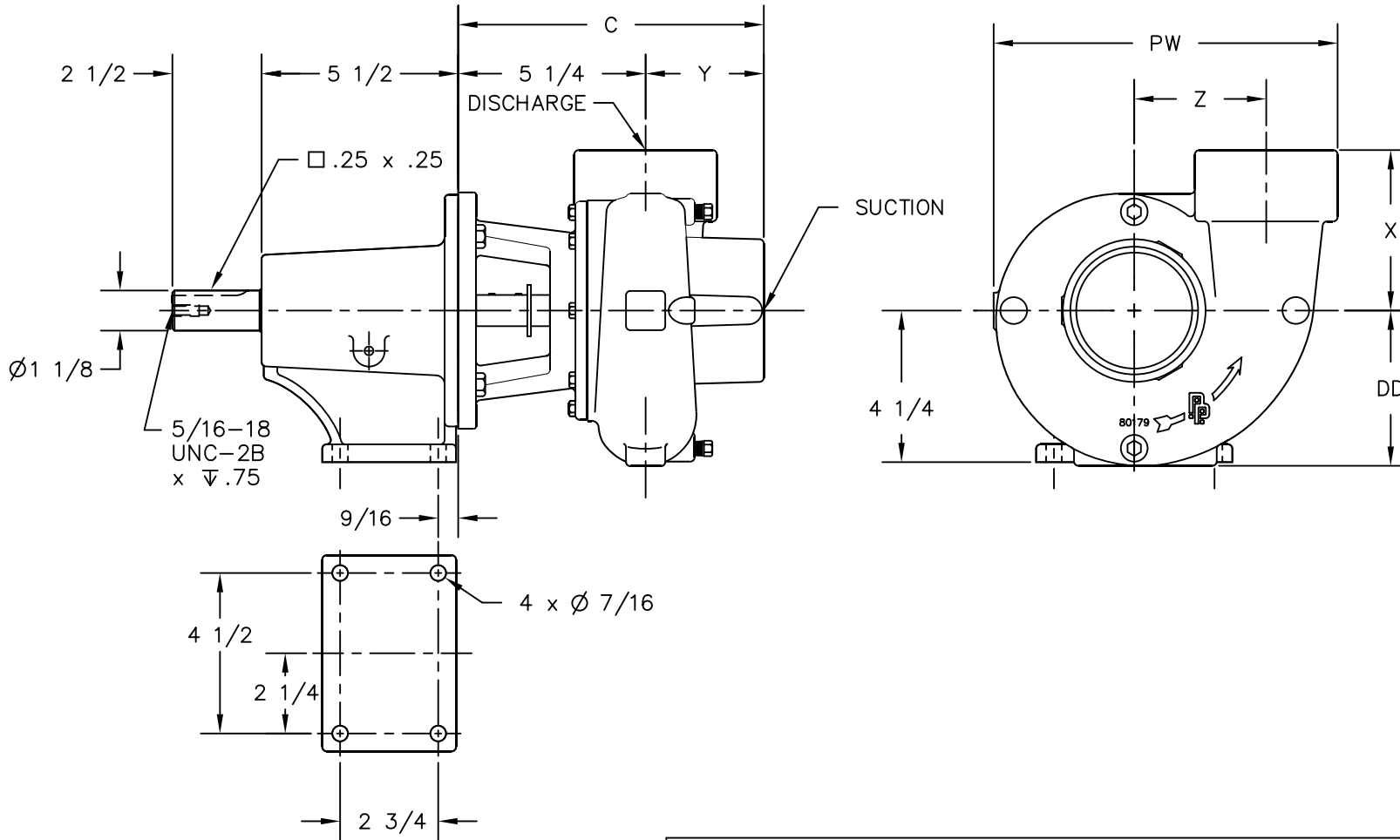
B



PRICE PUMP CO.

FACTORY FAX TRANSMITTAL DRAWING

#1 Pump Way P.O. Box Q
 Sonoma, CA 95476 (707) 938-8441
 707-FAX 938-0764



	PUMP END DIMENSIONS							
	C	Y	PW	Z	X	DD	SUCTION	DISCHARGE
RC200	8 1/8	2 7/8	7 1/8	2 1/2	3 3/4	3 1/2	2" NPT	2" NPT
RC300	8 9/16	3 5/16	9 5/8	3 11/16	4 1/2	4 3/8	3" NPT	3" NPT

NOTE: ALL DIMENSIONS ARE ROUNDED TO THE NEAREST 1/8 INCH.
 FOR ENGINEERING PURPOSES PUMP RC300 HAS BEEN USED TO CREATE DRAWING.