

DESCRIPTION

XL MAGNETIC DRIVE MOTOR PUMP ASSEMBLY

REF. NO.

O-XLMD

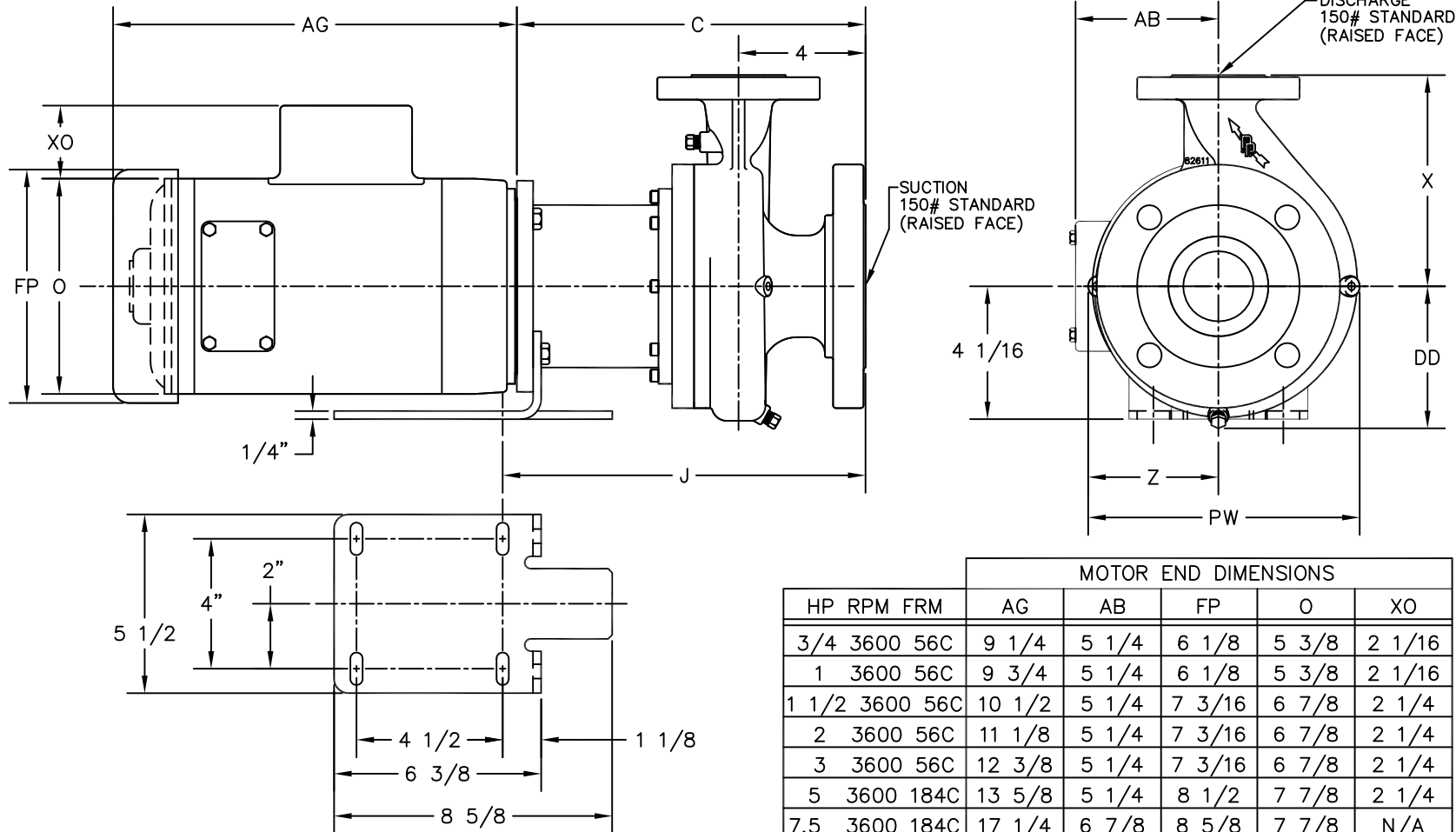
DATE

3/25/09

REV.

—

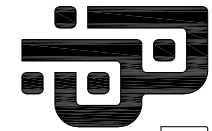
	PUMP END DIMENSIONS							
	C	DD	PW	J	X	Z	SUCTION	DISCHG
XL100	10 3/4	4 1/16	8	11 1/8	6 1/2	3 7/8	1-1/2"	1"
XL150	10 3/4	4 3/8	8 3/8	11 1/8	6 1/2	4	3"	1-1/2"
XL200	11	4 3/8	8 3/4	11 3/8	8 1/4	4 1/16	3"	2"

**NOTES:**

1. MOTOR DIMENSIONS WILL VARY BY MODEL AND MAKE, DIMENSIONS ARE TO BE USED FOR REFERENCE ONLY.
2. DIMENSION "XO" APPLIES TO SINGLE PHASE MOTORS ONLY.
3. ALL DIMENSIONS ARE ROUNDED TO THE NEAREST 1/8 INCH.

HP	RPM	FRM	MOTOR END DIMENSIONS				
			AG	AB	FP	O	XO
3/4	3600	56C	9 1/4	5 1/4	6 1/8	5 3/8	2 1/16
1	3600	56C	9 3/4	5 1/4	6 1/8	5 3/8	2 1/16
1 1/2	3600	56C	10 1/2	5 1/4	7 3/16	6 7/8	2 1/4
2	3600	56C	11 1/8	5 1/4	7 3/16	6 7/8	2 1/4
3	3600	56C	12 3/8	5 1/4	7 3/16	6 7/8	2 1/4
5	3600	184C	13 5/8	5 1/4	8 1/2	7 7/8	2 1/4
7.5	3600	184C	17 1/4	6 7/8	8 5/8	7 7/8	N/A
10	3600	184C	16 1/2	8	10 1/4	9 5/8	N/A
15	3600	184C	19 7/8	7 1/2	10 3/8	9 1/2	N/A

FACTORY FAX TRANSMITTAL DRAWING



PRICE PUMP CO.

21775 Eighth Street East
 Sonoma, CA 95476-0329
 FAX: (707) 938-0764

(707) 938-8441