

DESCRIPTION

XT100 CLOSE COUPLED AIR MOTOR PUMP ASSEMBLY W/ BASE

REF. NO.

O-XT100AIR

DATE

9/4/07

REV.

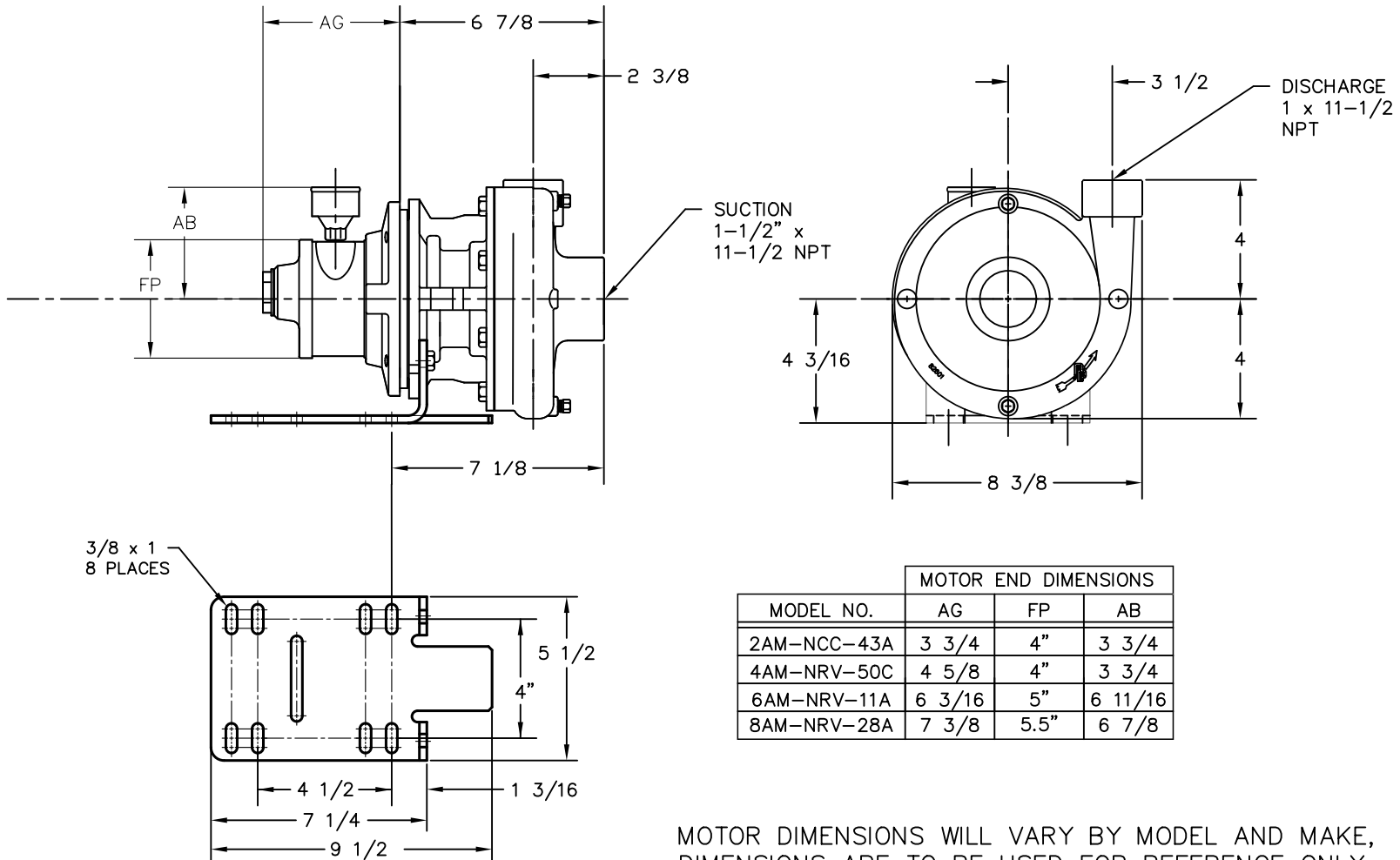
A



PRICE PUMP CO.

FACTORY FAX TRANSMITTAL DRAWING

21775 Eighth Street East
 Sonoma, CA 95476-0329
 FAX: (707) 938-0764
 P.O. Box Q
 (707) 938-8441



MOTOR DIMENSIONS WILL VARY BY MODEL AND MAKE, DIMENSIONS ARE TO BE USED FOR REFERENCE ONLY.

NOTE

ALL DIMENSIONS ARE ROUNDED TO THE NEAREST 1/8 INCH.