

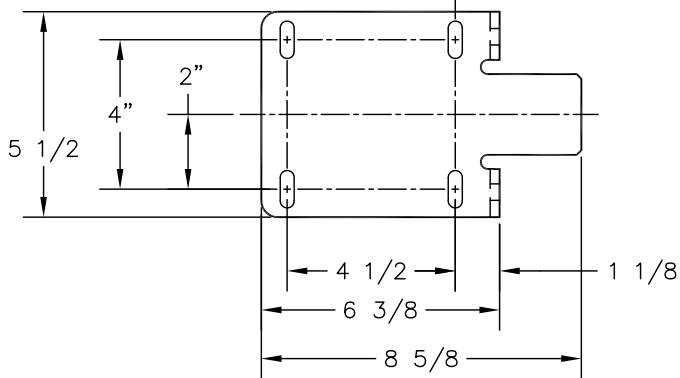
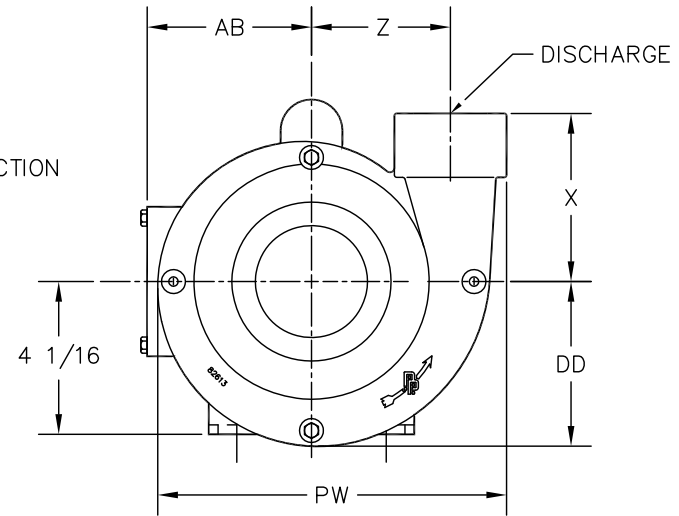
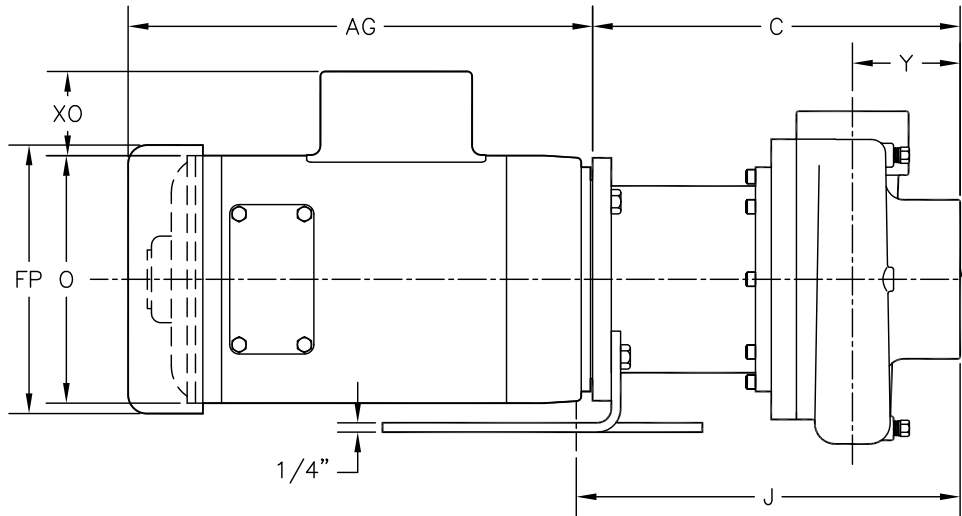
DESCRIPTION
 XT MAGNETIC DRIVE MOTOR PUMP ASSEMBLY

REF. NO.
 O-XTMD

DATE
 3/25/09

REV.
 A

	PUMP END DIMENSIONS								
	C	DD	PW	J	X	Y	Z	SUCTION	DISCHG
XT100	9 1/8	4"	8 3/8	9 5/8	4"	2 3/8	3 1/2	1-1/2"	1"
XT150	10 1/8	4 1/8	8 3/4	10 5/8	4 1/4	3 1/4	3 5/8	2"	1-1/2"
XT200	9 7/8	4 7/16	9 5/16	9 3/8	4 1/2	2 7/8	3 3/4	3"	2"



HP	RPM	FRM	MOTOR END DIMENSIONS				
			AG	AB	FP	O	XO
3/4	3600	56C	9 1/4	5 1/4	6 1/8	5 3/8	2 1/16
1	3600	56C	9 3/4	5 1/4	6 1/8	5 3/8	2 1/16
1 1/2	3600	56C	10 1/2	5 1/4	7 3/16	6 7/8	2 1/4
2	3600	56C	11 1/8	5 1/4	7 3/16	6 7/8	2 1/4
3	3600	56C	12 3/8	5 1/4	7 3/16	6 7/8	2 1/4

- NOTES:
1. MOTOR DIMENSIONS WILL VARY BY MODEL AND MAKE, DIMENSIONS ARE TO BE USED FOR REFERENCE ONLY.
 2. DIMENSION "XO" APPLIES TO SINGLE PHASE MOTORS ONLY.
 3. ALL DIMENSIONS ARE ROUNDED TO THE NEAREST 1/8 INCH.



PRICE[®] PUMP CO.

FACTORY FAX TRANSMITTAL DRAWING

21775 Eighth Street East
 Sonoma, CA 95476-0329
 FAX: (707) 938-0764

(707) 938-8441