

DESCRIPTION

XT150&200 CLOSE COUPLED MPU W/ 213-215JM NEMA FRAME

REF. NO.

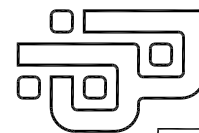
0-XT-213/215JM

DATE

8/18/14

REV.

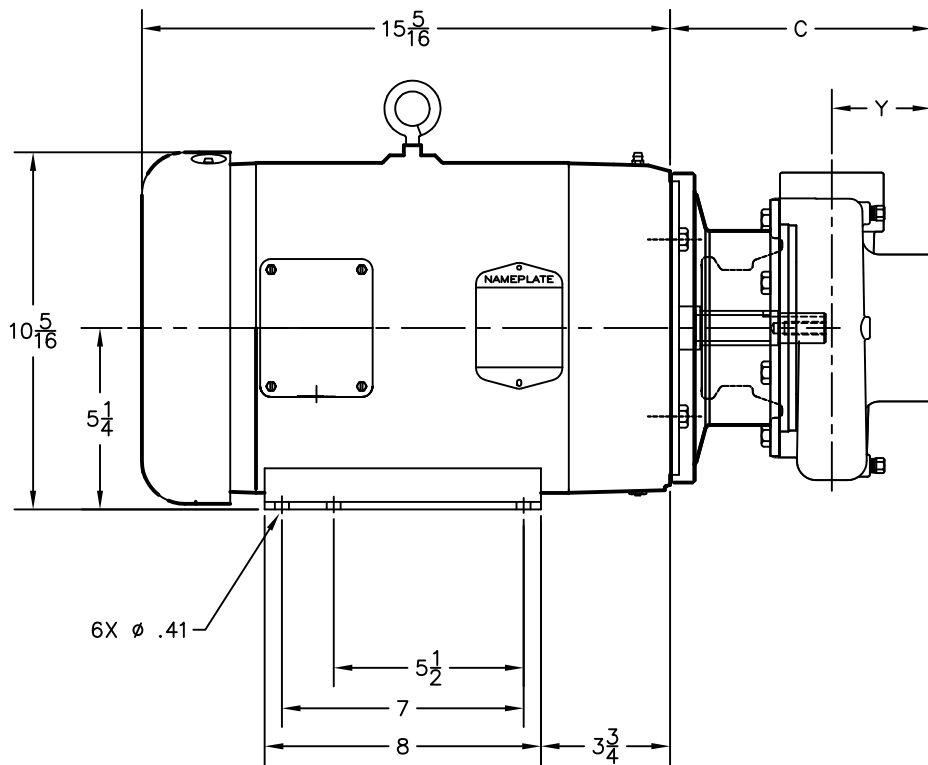
-



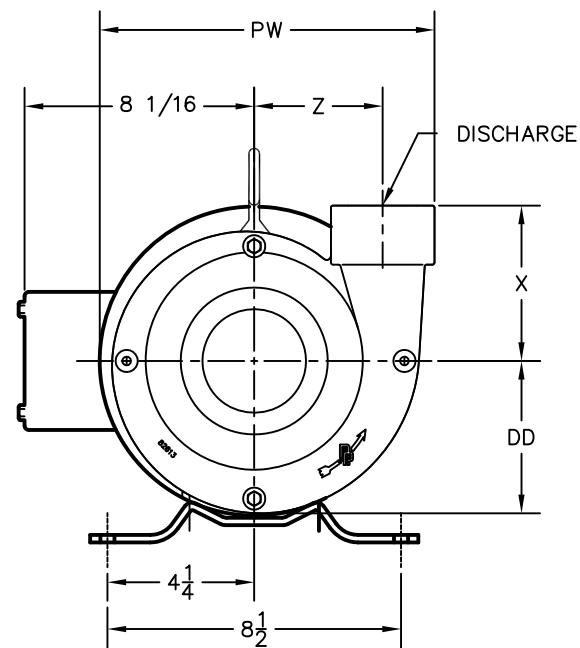
PRICE PUMP CO.

FACTORY FAX TRANSMITTAL DRAWING

21775 Eighth Street East  
 Sonoma, CA 95476 (707) 938-8441  
 707-FAX 938-0764



SUCTION



MODEL	PUMP END DIMENSIONS						PIPE THREAD - NPT	
	C	DD	PW	X	Y	Z	DISCHARGE	SUCTION
XT 1 1/2 x 2 x 6	7 13/16	4 1/8	9 1/8	4 1/4	3 1/4	3 5/8	1 1/2" x 1 1/2"	2" x 1 1/2"
XT 2 x 3 x 6	7 9/16	4 7/16	9 11/16	4 1/2	2 7/8	3 3/4	2" x 1 1/2"	3" x 8"

NOTES

ALL DIMENSIONS ARE ROUNDED TO THE NEAREST 1/8 INCH.

MOTOR DIMENSIONS WILL VARY BY MODEL AND MAKE. DIMENSIONS ARE TO BE USED FOR REFERENCE ONLY.