

DESCRIPTION

SP150 SS/CI CLOSE COUPLED MOTOR PUMP ASSEMBLY

REF. NO.

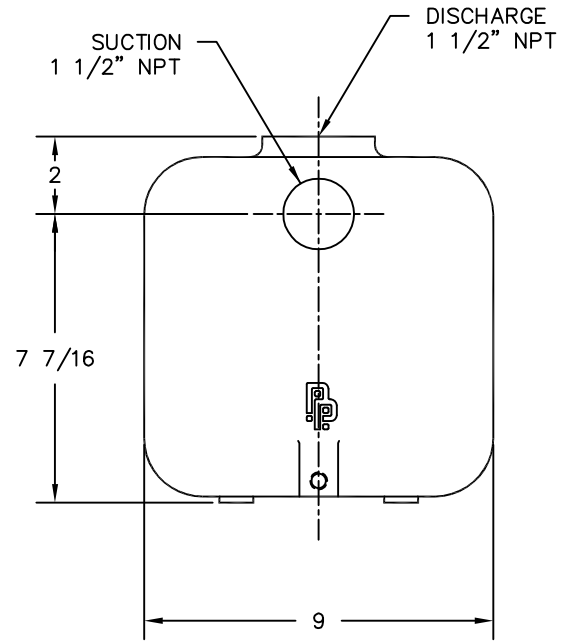
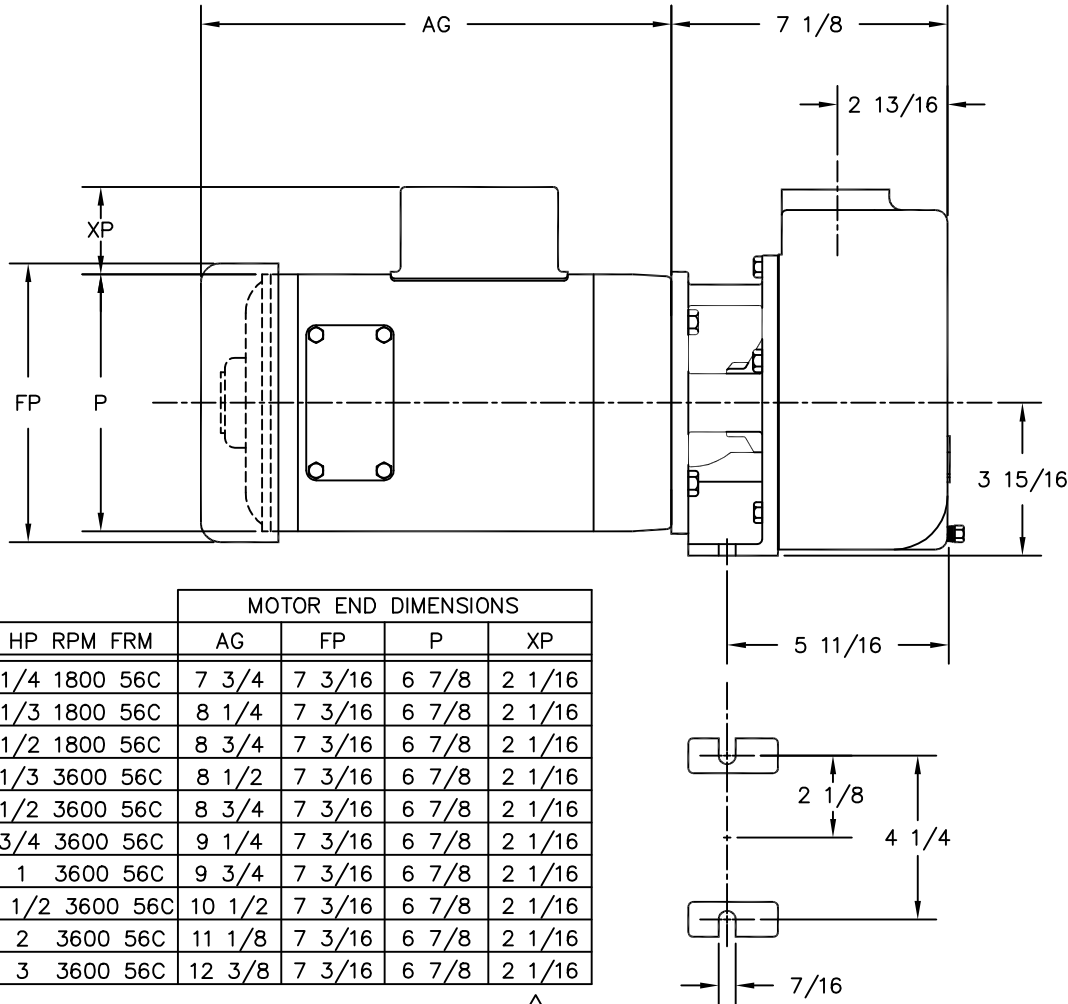
O-SP

DATE

7/1/91

REV.

C



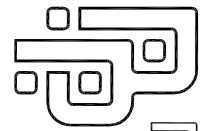
MOTOR END DIMENSIONS

HP	RPM	FRM	AG	FP	P	XP
1/4	1800	56C	7 3/4	7 3/16	6 7/8	2 1/16
1/3	1800	56C	8 1/4	7 3/16	6 7/8	2 1/16
1/2	1800	56C	8 3/4	7 3/16	6 7/8	2 1/16
1/3	3600	56C	8 1/2	7 3/16	6 7/8	2 1/16
1/2	3600	56C	8 3/4	7 3/16	6 7/8	2 1/16
3/4	3600	56C	9 1/4	7 3/16	6 7/8	2 1/16
1	3600	56C	9 3/4	7 3/16	6 7/8	2 1/16
1 1/2	3600	56C	10 1/2	7 3/16	6 7/8	2 1/16
2	3600	56C	11 1/8	7 3/16	6 7/8	2 1/16
3	3600	56C	12 3/8	7 3/16	6 7/8	2 1/16



NOTE:

1. MOTOR DIMENSIONS WILL VARY BY MODEL AND MAKE, DIMENSIONS ARE TO BE USED FOR REFERENCE ONLY.
2. ALL DIMENSIONS ARE ROUNDED TO THE NEAREST 1/8 INCH.
3. DIMENSION "XP" APPLIES TO SINGLE PHASE MOTORS ONLY.



PRICE PUMP CO.

FACTORY FAX TRANSMITTAL DRAWING

#1 Pump Way P.O. Box 0  
 Sonoma, CA 95476 (707) 938-8441  
 707-FAX 938-0764