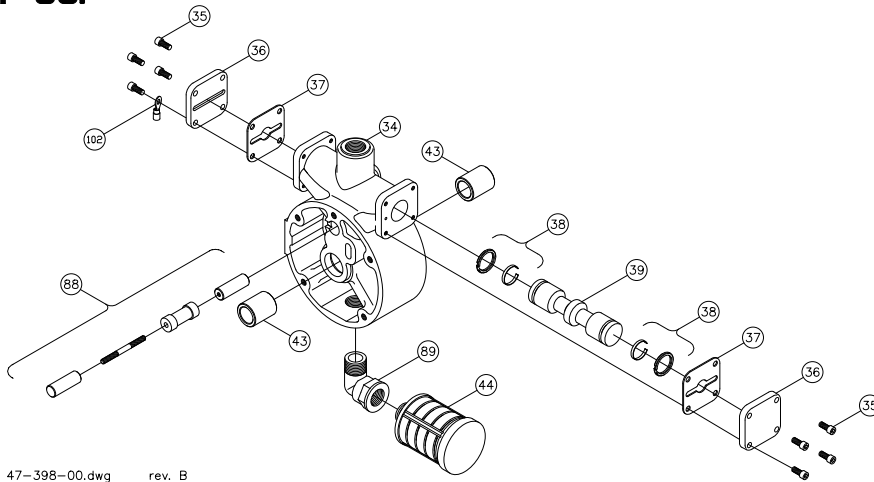




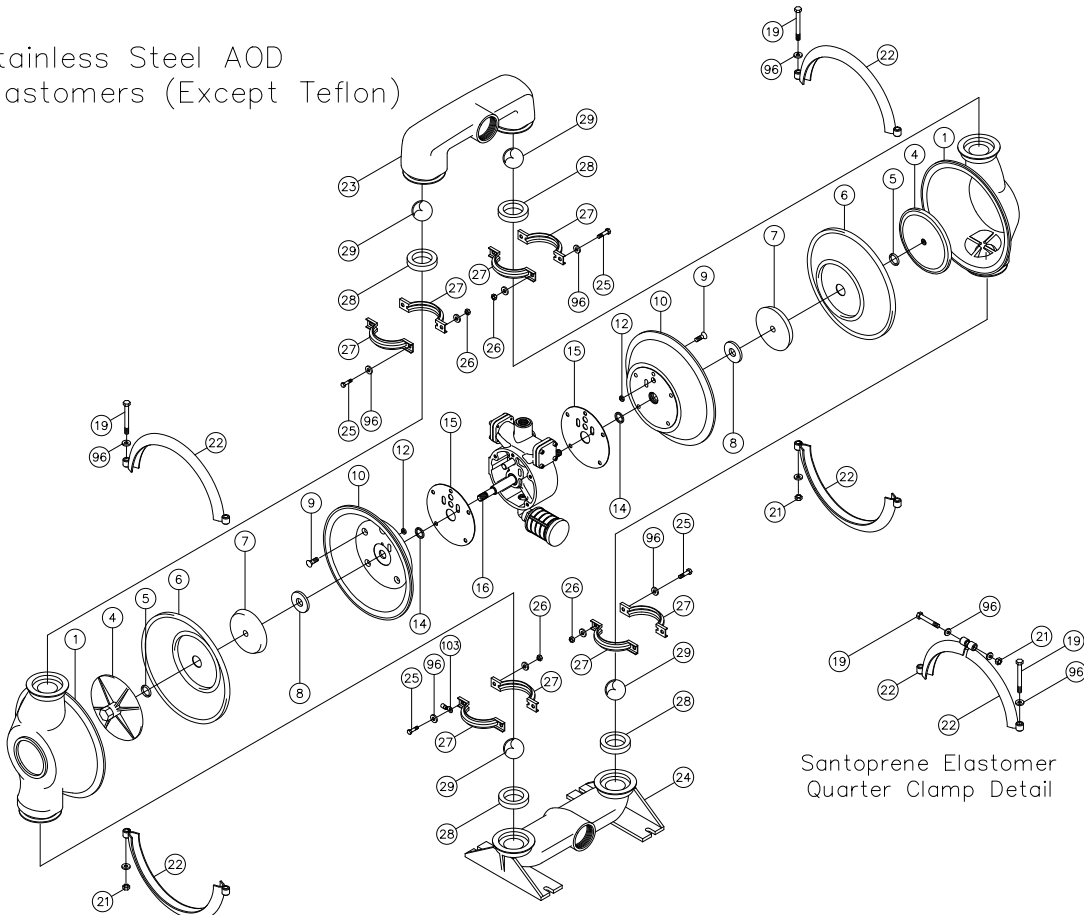
PRICE PUMP CO.

2AOD-SS.dwg rev. A



47-398-00.dwg rev. B

2" Stainless Steel AOD
All Elastomers (Except Teflon)



Santoprene Elastomer
Quarter Clamp Detail

45-245-00.dwg rev. B

Price Pump Co.

21775 Eighth Street East * Sonoma, CA 95476-0329 * (707) 938-8441 * Fax (707) 938-0764



2" AOD Stainless Steel Parts List

(All Elastomers Except Teflon)

PRICE PUMP CO.

AOD2SSplist.doc rev. D

| Key # | Description | Quantity | Part # | Material |
|--------------|-----------------------------|-----------------|-----------------|----------------------|
| 1 | Chamber, Pump | 2 | 44-690-22 | Stainless Steel |
| 4 | Plate, Diaphragm (Outer) | 2 | 44-905-10 | Stainless Steel |
| 5 | O-Ring | 2 | 44-130-00 | Neoprene |
| 6 | Diaphragm | 2 | 44-101-** | Customers Preference |
| 7 | Plate, Diaphragm (Inner) | 2 | 44-108-04 | Aluminum |
| 8 | Bumper | 2 | 44-106-00 | Polyurethane |
| 9 | Cap Screw | 10 | 60-034-00 | Alloy |
| 10 | Chamber, Air | 2 | 47-236-04 | Aluminum |
| 12 + | Seal | 2 | 46-058-00 | Molythane |
| 14 + | Seal | 2 | 44-372-00 | Molythane |
| 15 + | Gasket, Air Valve / Chamber | 2 | 44-453-00 | Lexide |
| 16 | Shaft, Pump | 1 | 46-469-00 | Steel - Nitrided |
| 19 | Cap Screw | | | |
| | -Santoprene Elastomer Pumps | 8 | 60-026-00 | Stainless Steel |
| | -All other Elastomers | 4 | 51-679-00 | Stainless Steel |
| 21 | Hex Nut | | | |
| | -Santoprene Elastomer Pumps | 8 | 60-061-SS | Stainless Steel |
| | -All other Elastomers | 4 | 60-061-SS | Stainless Steel |
| 22 | Clamp, Quarter | | | |
| | -Santoprene Elastomer Pumps | 8 | 45-502-00 | Stainless Steel |
| | Clamp, Half | | | |
| | -All other Elastomers | 4 | 44-988-00 | Stainless Steel |
| 23 | Manifold, Discharge | 1 | 44-692-10 | Stainless Steel |
| 24 | Manifold, Suction | 1 | 44-691-10 | Stainless Steel |
| 25 | Cap Screws | 8 | 60-024-00 | Stainless Steel |
| 26 | Hex Nut | 8 | 60-061-SS | Stainless Steel |
| 27 | Clamp, Half | 8 | 44-949-00 | Stainless Steel |
| 28 | Seat, ball Valve | 4 | 44-105-** | Customer Preference |
| 29 | Ball, Valve | 4 | 44-102-** | Customer Preference |
| 34 | Housing, Air Valve | 1 | 47-339-04 | Aluminum Anodized |
| 35 | Cap Screw, Socket Head | 8 | 51-640-00 | Steel - Zinc Plated |
| 36 | Cap, Spool Housing | 2 | 46-217-40 | Aluminum |
| 37 + | Gasket, Cap | 2 | 46-218-00 | Polyurethane |
| 38 + | Piston Ring w/ Expander | 2 | 44-366-00 | Phenolic / Stainless |
| 39 + | Spool, Air Valve | 1 | 47-180-00 | Phenolic |
| 43 + | Sleeve, Bushing | 2 | 44-120-00 | Bronze |
| 44 + | Muffler | 1 | 44-127-66 | Polypropylene |
| 88 + | Pilot Spool Assembly | 1 | 47-587-00 | Stainless / Phenolic |
| 89 + | Elbow | 1 | 44-128-00 | Polypropylene |
| 96 | Washer | | | |
| | -Santoprene Elastomer Pumps | 32 | 52-128-43 | Stainless Steel |
| | -All other Elastomers | 24 | 52-128-43 | Stainless Steel |
| 102 | Terminal Ring | 1 | 60-070-00 | Tin |
| 103 | Terminal Ring | 1 | 60-071-00 | Tin |
| | Air Valve Rebuild Kit | | | |
| | -Includes All Parts with + | 1 | 47-665-00 | |
| | Elastomer Kit | 1 | 44-809-** | |
| ** | Elastomers: | | | |
| | 00 - Neoprene | 20 - Viton | 60 - Santoprene | |
| | 10 - Buna-N | 30 - Nordel | | |

Price® Pump Co.

21775 Eighth Street East * Sonoma, CA 95476-0329 * (707) 938-8441 * Fax (707) 938-0764