



PRICE PUMP®

CD100/150

PUMP VOLUTE / IMPELLER MATERIALS

- CD (AI) – CAST IRON / CAST IRON
- CD (BF) – CAST IRON / BRONZE
- CD (SF) – CAST IRON / 316SS
- CD (AB) – BRONZE / BRONZE
- CD (SS) – 316SS / 316SS
- CD (HC) – HASTELLOY C / HASTELLOY C

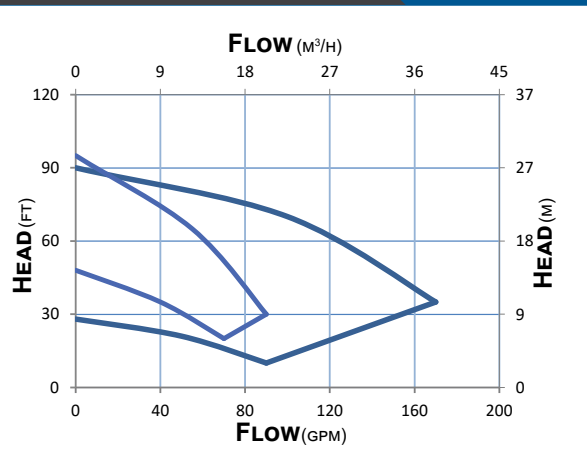


FEATURES

- PUMP DESIGN – COMPACT, CLOSE COUPLED
- DOUBLE SEAL – TYPE 21 AVAILABLE
- TEFLON SEAL – TYPE 9 AVAILABLE
- FLUSH OPTIONS – RECIRCULATING, INTERNAL, & QUENCH AVAILABLE

STANDARD SPECIFICATIONS

- CD100 / CD100V DISCHARGE 1" FNPT, SUCTION 1-1/4" FNPT
- CD150 / CD150V DISCHARGE 1-1/2" FNPT, SUCTION 2" FNPT
- MAXIMUM IMPELLER DIAMETER: 4.94"
- STUB SHAFT: 5/8" 316SS (7/8" OPTIONAL)
- MOTOR: NEMA C FACE (MULTIPLE ENCLOSURES AVAILABLE)
- PUMP ENERGY INDEX: .930-.950



MECHANICAL SEAL TYPES

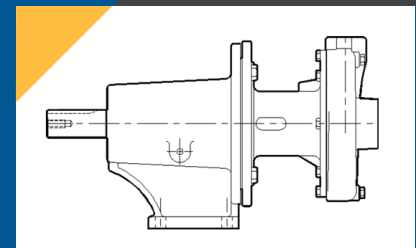
- SINGLE, 5/8" TYPE 6A BUNA, CARBON VS. CERAMIC (AI, BF, SF, AB)
- SINGLE, 5/8" TYPE 21 VITON, CARBON VS. CERAMIC (SS)
- SINGLE, 5/8" TYPE 9 TEFLON, CARBON VS. CERAMIC (HC)
- NOTE: ADDITIONAL SEAL OPTIONS AVAILABLE

APPLICATIONS

- VAPOR DEGREASER
- CHILLERS
- DEIONIZED WATER PROCESSING
- FILTER SYSTEMS
- WATER TREATMENT SYSTEMS
- CIRCULATION / FILTRATION

OPTIONAL CONFIGURATIONS

- AIR MOTOR: UP TO 2-1/2 HP
- VERTICAL MOUNTING
- POWER FRAME MOUNTING
- LONG-COUPLED MOUNTING



2203 SMEED PARKWAY CALDWELL, ID 83605

MAIN (208) 402-6871

TOLL FREE (800) 345-7867

EMAIL SALES@PRICEPUMP.COM

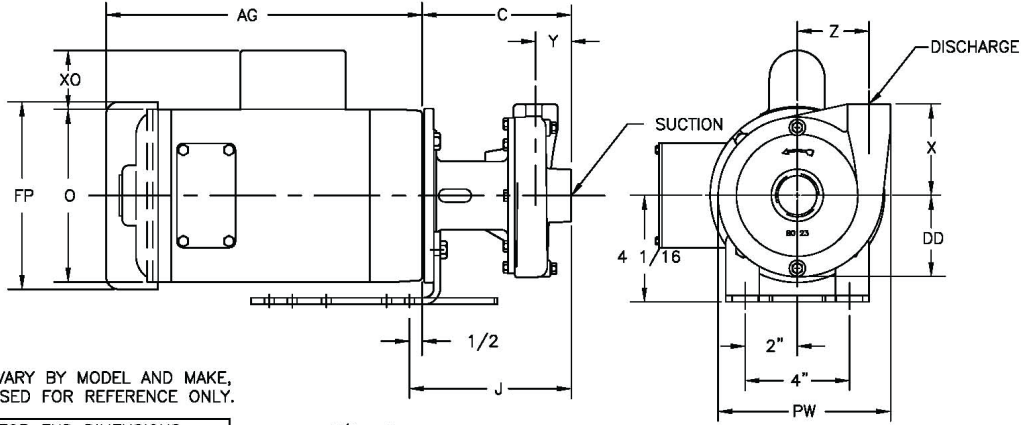
PRICEPUMP.COM





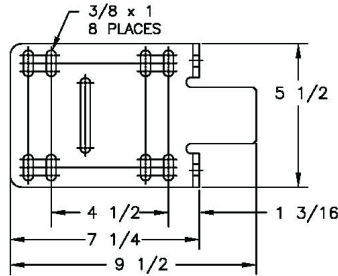
PRICE PUMP®

CD100/150



NOTE:
MOTOR DIMENSIONS WILL VARY BY MODEL AND MAKE,
DIMENSIONS ARE TO BE USED FOR REFERENCE ONLY.

MOTOR END DIMENSIONS						
HP	RPM	FRM	AG	FP	O	XO
1/4	1800	56C	7 3/4	6 1/8	5 3/8	2 1/16
1/3	1800	56C	8 1/4	6 1/8	5 3/8	2 1/16
1/2	1800	56C	8 3/4	6 1/8	5 3/8	2 1/16
1/3	3600	56C	8 1/2	6 1/8	5 3/8	2 1/16
1/2	3600	56C	8 3/4	6 1/8	5 3/8	2 1/16
3/4	3600	56C	9 1/4	6 1/8	5 3/8	2 1/16
1	3600	56C	9 3/4	6 1/8	5 3/8	2 1/16
1 1/2	3600	56C	10 1/2	7 3/16	6 7/8	2 1/4
2	3600	56C	11 1/8	7 3/16	6 7/8	2 1/4
3	3600	56C	12 3/8	7 3/16	6 7/8	2 1/4



NOTE:
ALL DIMENSIONS HAVE BEEN ROUNDED TO THE NEAREST 1/8".

	PUMP END DIMENSIONS								
	C	DD	PW	X	Y	Z	J	SUCTION	DISCHG
CD100 SS	5 3/4	3 1/8	6 5/8	3 1/2	1 3/8	2 3/4	6 1/4	1 1/4	1"
CD150 SS	6 13/16	4 1/16	7 15/16	3 13/16	2 1/8	3 1/16	7 5/16	2"	1 1/2"

DIMENSIONS

STAINLESS STEEL MODEL SHOWN

MATERIALS OF CONSTRUCTION

CD	AI	BF	SF	AB	SS	HC
VOLUTE	CAST IRON	CAST IRON	CAST IRON	BRONZE	316SS	HC
IMPELLER	CAST IRON	BRONZE	316SS	BRONZE	316SS	HC
BRACKET	CAST IRON	CAST IRON	CAST IRON	BRONZE	316SS	HC
GASKET**	SYN. FIBER	SYN. FIBER	SYN. FIBER	N/A	TEFLON	TEFLON
O-RING**	BUNA	BUNA	BUNA	BUNA	VITON	N/A
FASTENERS	PLATED STEEL	PLATED STEEL	PLATED STEEL	18-8 SS	316 SS	HC

** VOLUTE GASKET IS STANDARD ON CD100AI, BF, SF, SS, & CD100/150 HC.
*** VOLUTE O-RING IS STANDARD ON CD100AB, AND CD150AI, BF, SF, AB, & SS.

TECHNICAL INFORMATION

MAX FLOW (CD100)	90 GPM (20.4 M3/HR)
MAX FLOW (CD150)	170 GPM (38.6 M3/HR)
MAX HEAD	95 FEET (29 M)
MIN. FLOW (CD100)	12 GPM (2.7 M3/HR)
MIN. FLOW (CD150)	25 GPM (5.7 M3/HR)
MAX SOLID SIZE	0.150" (3.81 MM)
MAX WORKING PRESSURE	(TYPE 6A SEAL) 75 PSI (5.2 BAR)
	(TYPE 8 SEAL) 325 PSI (22.4 BAR)
	(TYPE 9 SEAL) 350 PSI (24.1 BAR)
	(TYPE 21 SEAL) 150 PSI (10.3 BAR)
(TYPE 2106 SEAL) 150 PSI (10.3 BAR)	
MAX TEMP.	300°F (149°C)*

* TEMPERATURE LIMITS WILL VARY ACCORDING TO THE LIQUID BEING PUMPED AND THE SEALING MATERIALS USED.



2203 SMEED PARKWAY CALDWELL, ID 83605

MAIN
(208) 402-6871

TOLL FREE
(800) 345-7867

EMAIL
SALES@PRICEPUMP.COM

PRICEPUMP.COM

