



PRICE PUMP®

TYPE XLMD

PUMP VOLUTE / IMPELLER MATERIALS

- XL100MDSS – 316 STAINLESS STEEL
- XL150MDSS – 316 STAINLESS STEEL
- XL200MDSS – 316 STAINLESS STEEL

APPLICATIONS

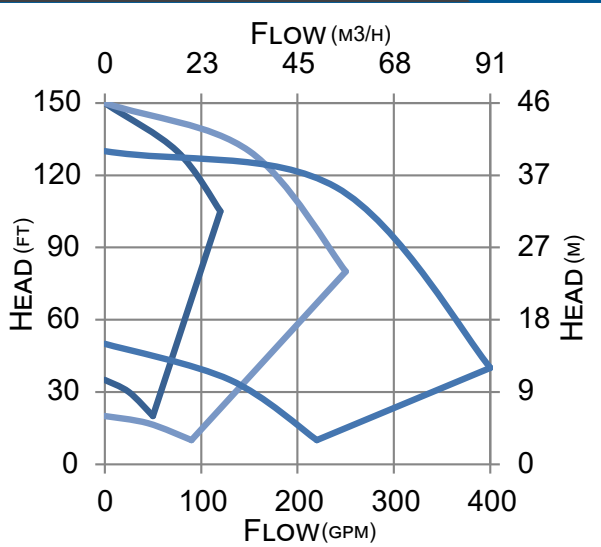
- TOXIC OR EXPLOSIVE FLUIDS
- AGGRESSIVE CHEMICALS
- BIODIESEL PRODUCTION
- WATER TREATMENT
- GALVANIC PROCESSES, SURFACE TREATMENTS
- SCRUBBER APPLICATIONS
- PHARMACEUTICAL INDUSTRY
- VAPOR DEGREASERS



STANDARD SPECIFICATIONS

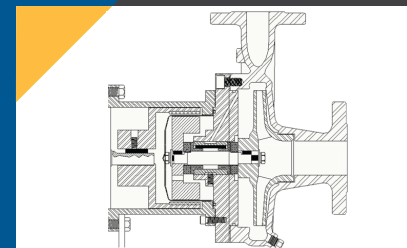
- XL100MD DISCHARGE 1", SUCTION 1-1/2" ANSI FLANGES
- XL150MD DISCHARGE 1-1/2", SUCTION 3" ANSI FLANGES
- XL200MD DISCHARGE 2", SUCTION 3" ANSI FLANGES
- FLANGES: 150 LB. CENTERLINE ANSI DIMENSIONED
- MAXIMUM IMPELLER DIAMETER: 5.98"
- IMPELLER MATERIAL: 316SS
- MOTOR: NEMA C FACE
- O-RINGS: VITON
- BUSHINGS: CARBON GRAPHITE
- THRUST WASHERS: CERAMIC
- MAGNETS: SAMARIUM COBALT

NOTE: CONTACT FACTORY FOR ADDITIONAL OPTIONS



FEATURES

- LEAK-PROOF, MAGNETIC DRIVE
- ELIMINATES SEALS TO REDUCE FRICTION WEAR
- HIGH TEMPERATURE CAPACITY
- 150 LB. CENTERLINE ANSI FLANGE PUMP CONNECTIONS



2203 SMEED PARKWAY CALDWELL, ID 83605

MAIN (208) 402-6871

TOLL FREE (800) 345-7867

EMAIL SALES@PRICEPUMP.COM

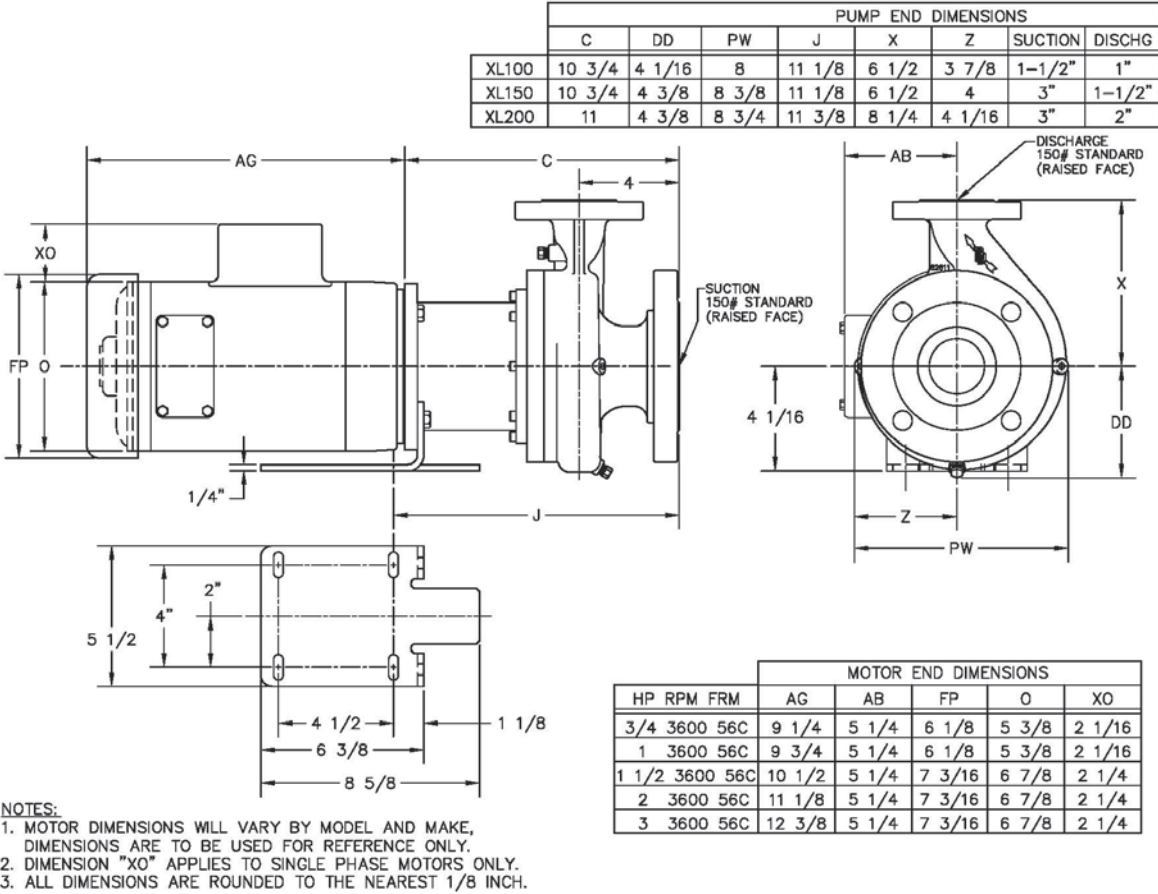
PRICEPUMP.COM





PRICE PUMP

TYPE XLMD



DIMENSIONS

TECHNICAL INFORMATION	
MAX FLOW (XL100MD)	120 GPM (27 M3/HR)
MAX FLOW (XL150MD)	250 GPM (57 M3/HR)
MAX FLOW (XL200MD)	400 GPM (91 M3/HR)
MAX HEAD	150 FEET (46 M)
MIN. FLOW (XL100MD)	10 GPM (2.3 M3/HR)
MIN. FLOW (XL150MD)	35 GPM (7.9 M3/HR)
MIN. FLOW (XL200MD)	50 GPM (11 M3/HR)
MAX WORKING PRESSURE	300 PSI (21 BAR)
MAX TEMP.	350°F (177°C)*

MATERIALS OF CONSTRUCTION	
XLMD	SS
VOLUTE	316 STAINLESS STEEL
IMPELLER	316 STAINLESS STEEL
BRACKET	316 STAINLESS STEEL
FASTENERS	316 STAINLESS STEEL
O-RING	VITON (STD), TEFLON, BUNA, EPR, NEOPRENE, KALREZ, & FLUORO-SILICON
SHAFT	316 STAINLESS STEEL (STD), TUNGSTEN CARBIDE COATED
BUSHINGS	CARBON (STD), SILICON CARBIDE
THRUST WASHERS	CERAMIC (STD), SILICON CARBIDE
MAGNET CUP	316 STAINLESS STEEL
MAGNETS	SAMARIUM COBALT



2203 SMEED PARKWAY CALDWELL, ID 83605

MAIN
(208) 402-6871

TOLL FREE
(800) 345-7867

EMAIL
SALES@PRICEPUMP.COM

PRICEPUMP.COM

