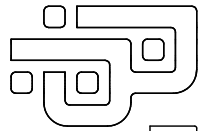


DESCRIPTION
1-1/2" AOD ALUMINUM

REF. NO.
AOD15-A

DATE
12/24/02

REV.
C

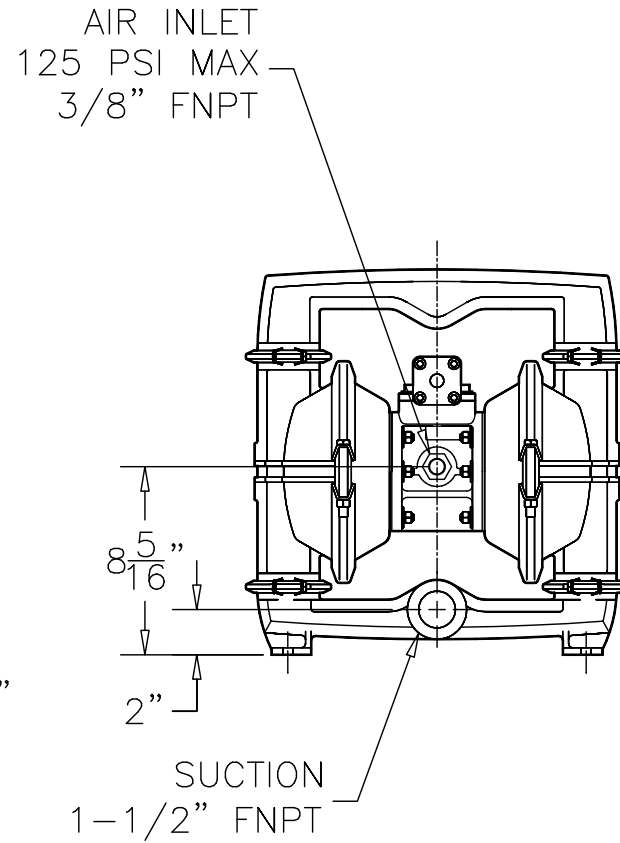
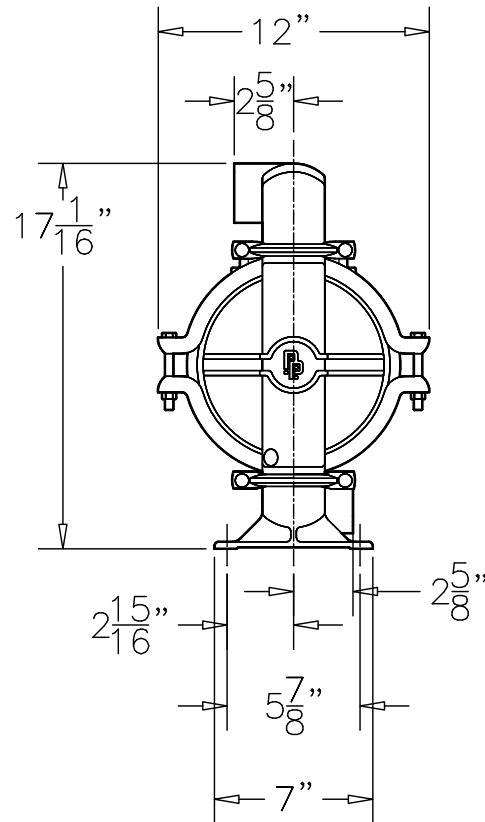
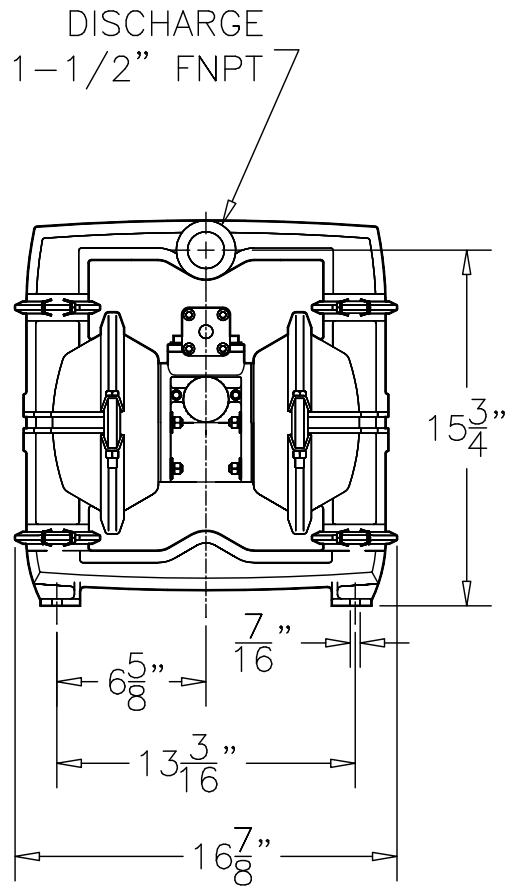


PRICE[®] PUMP CO.

21775 Eighth Street East
Sonoma, CA 95476-0329
FAX: (707) 938-0764

(707) 938-8441

FACTORY FAX TRANSMITTAL DRAWING



NOTE: ALL DIMENSIONS HAVE BEEN ROUNDED TO THE NEAREST 1/16"