

DESCRIPTION
 1-1/2" AOD ALUMINUM (BOLTED)

REF. NO.
 AOD15B-A

DATE
 2/14/05

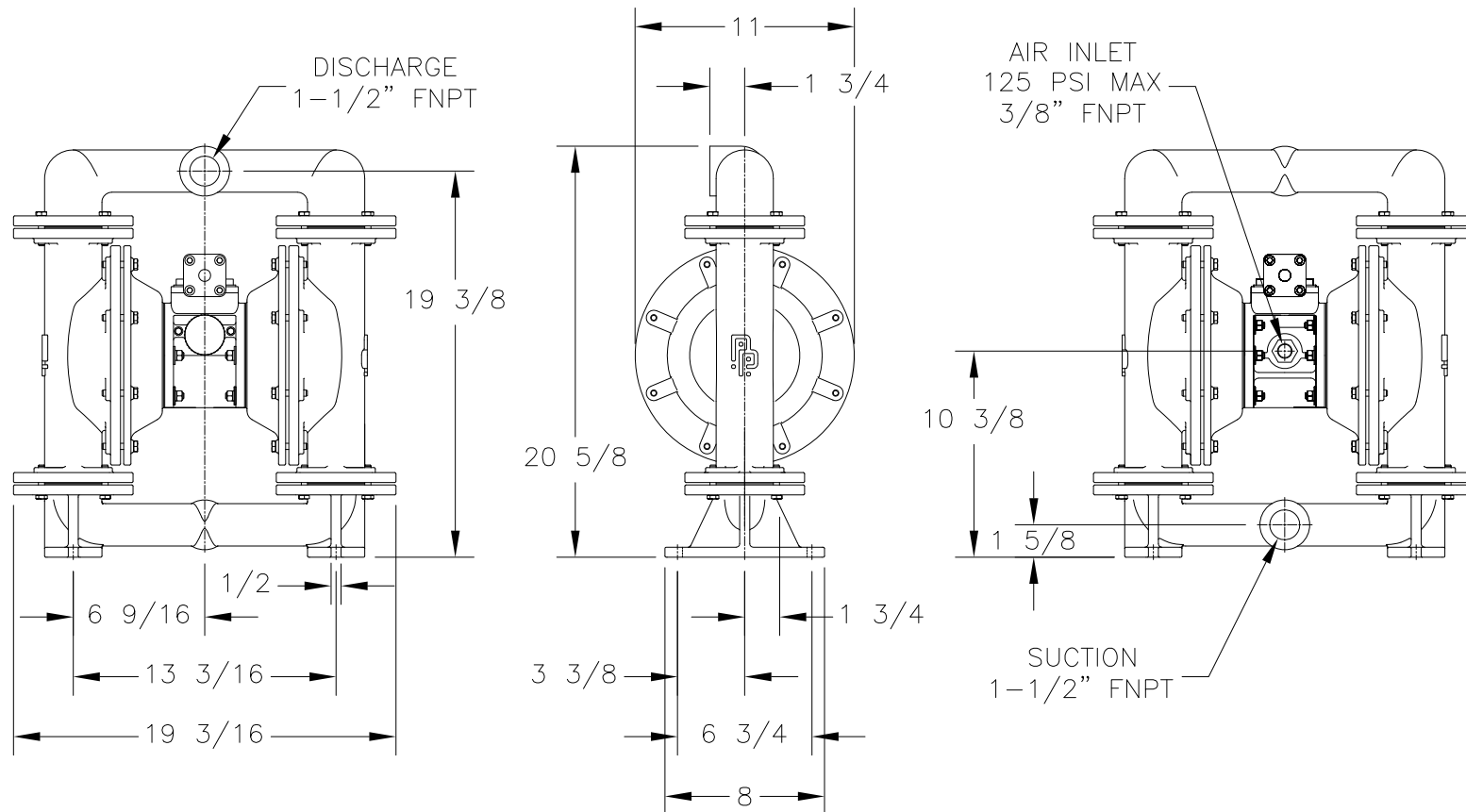
REV.
 A



PRIGE® PUMPS CO.

FACTORY FAX TRANSMITTAL DRAWING

21775 Eighth Street East
 Sonoma, CA 95476-0329
 Phone: (707) 938-8441
 FAX: (707) 938-0764



NOTE: ALL DIMENSIONS HAVE BEEN ROUNDED TO THE NEAREST 1/16".