

DESCRIPTION  
 1-1/2" AOD STAINLESS STEEL (BOLTED)

REF. NO.  
 AOD15B-S

DATE  
 1/06/06

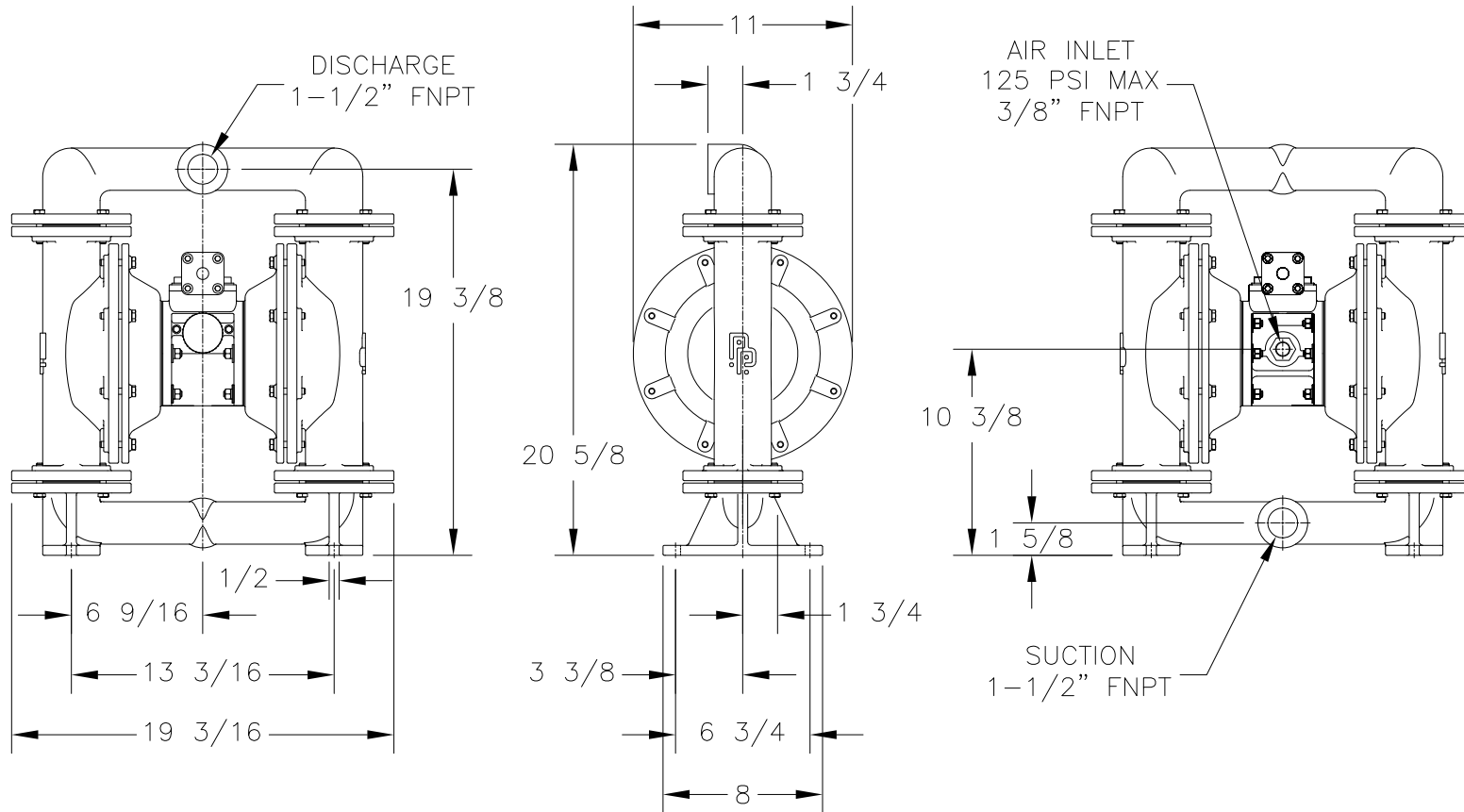
REV.  
 A



PRIGE® PUMPS CO.

FACTORY FAX TRANSMITTAL DRAWING

21775 Eighth Street East  
 Sonoma, CA 95476-0329  
 Phone: (707) 938-8441  
 FAX: (707) 938-0764



NOTE: ALL DIMENSIONS HAVE BEEN ROUNDED TO THE NEAREST 1/16".