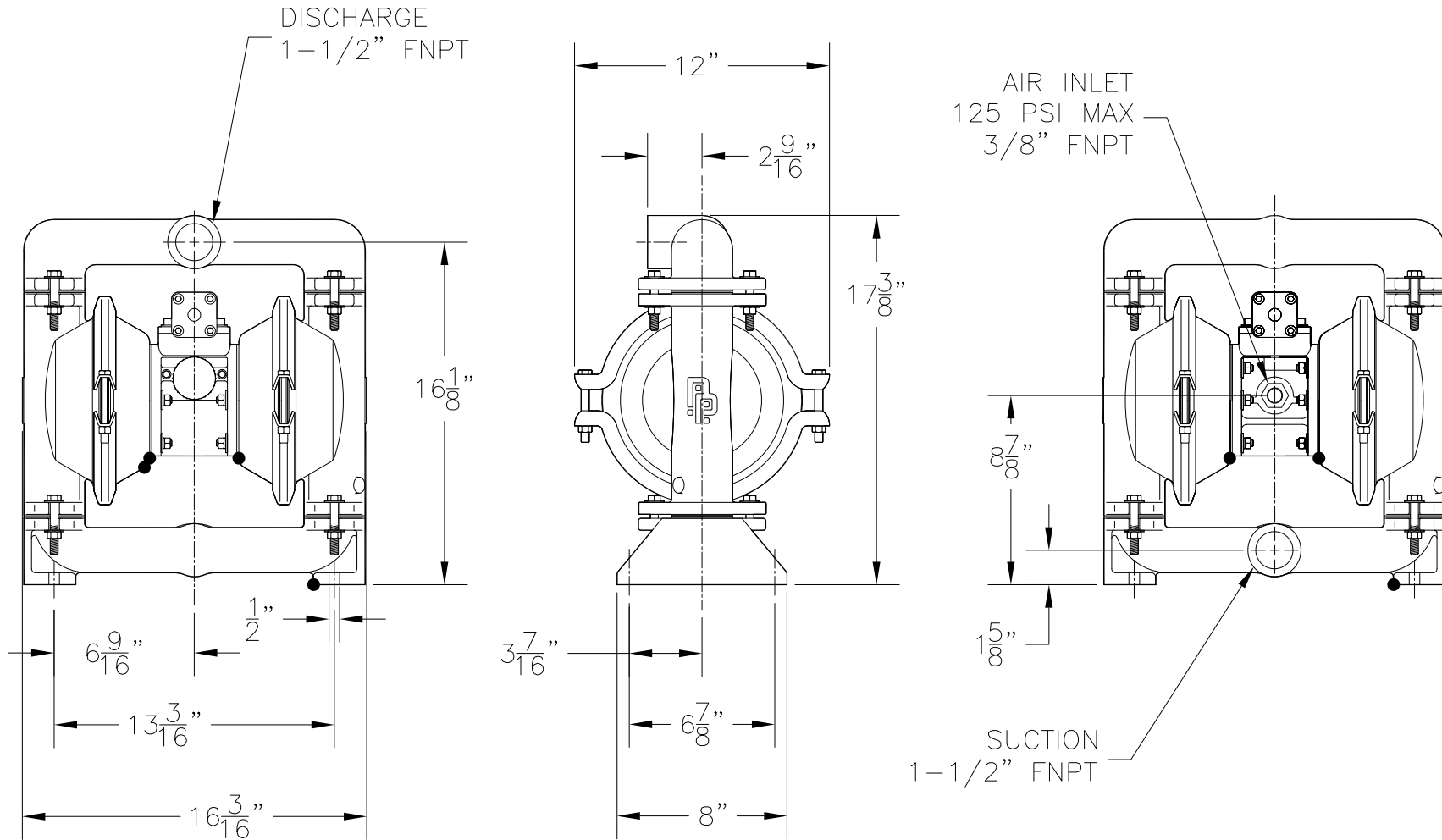


DESCRIPTION  
1-1/2" AOD CAST IRON

REF. NO.  
AOD15-C

DATE  
12/24/02

REV.  
B



NOTE: ALL DIMENSIONS HAVE BEEN ROUNDED TO THE NEAREST 1/16".



PRICE<sup>®</sup> PUMP CO.

FACTORY FAX TRANSMITTAL DRAWING

21775 Eighth Street East  
Sonoma, CA 95476-0329  
FAX: (707) 938-0764

(707) 938-8441