

DESCRIPTION

1.5" AOD - NON-METALLIC OUTLINE DRAWING

REF. NO.

AOD1.5-P,K-Y

DATE

4/3/12

REV.

-

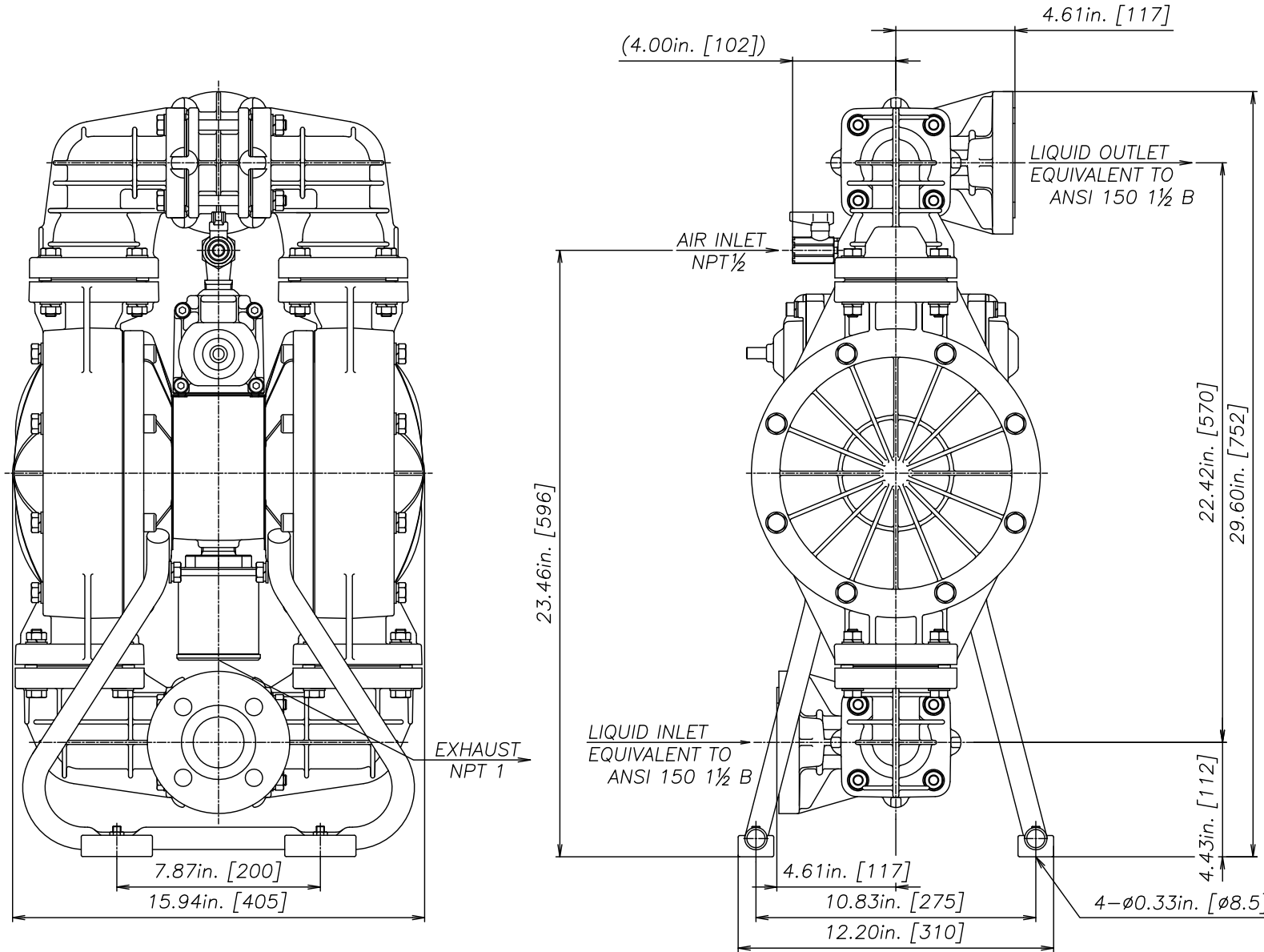


PRICE PUMP CO.

FACTORY FAX TRANSMITTAL DRAWING

21775 Eighth Street East
 Sonoma, CA 95476-0329
 FAX: (707) 938-0764

(707) 938-8441



NOTE: ALL DIMENSIONS HAVE BEEN ROUNDED TO THE NEAREST 0.062".

NOTE: DIMENSIONS IN BRACKETS ARE IN MILLIMETERS.