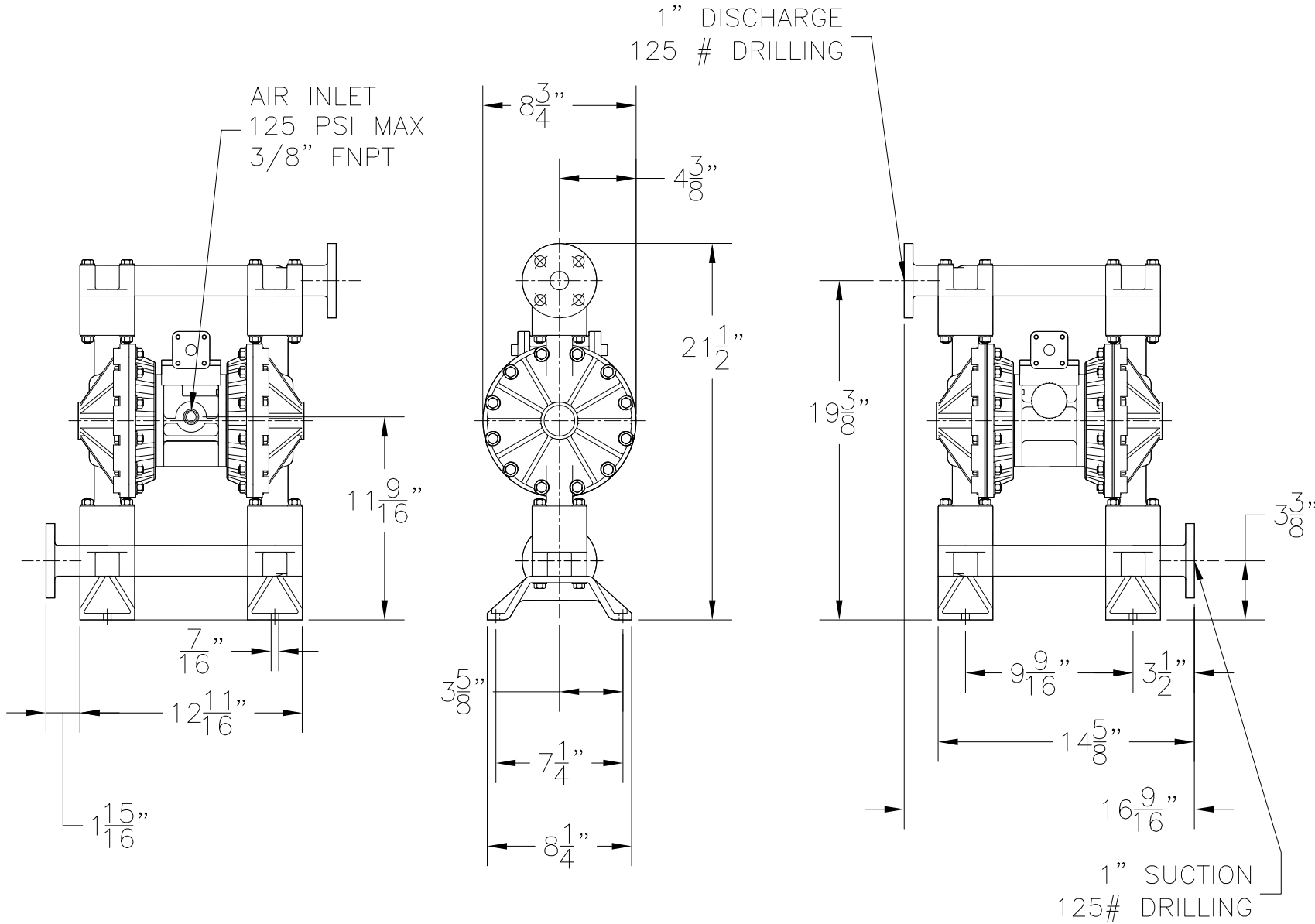


DESCRIPTION  
1" AOD POLYPROPYLENE

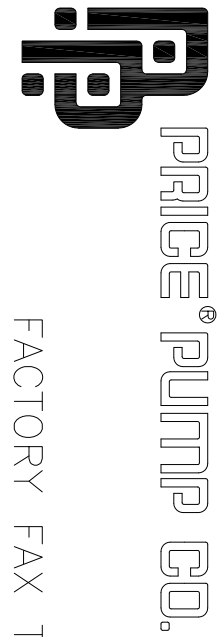
REF. NO.  
AOD1-P

DATE  
12/19/02

REV.  
C



NOTE: ALL DIMENSIONS HAVE BEEN ROUNDED TO THE NEAREST 1/16".



FACTORY FAX TRANSMITTAL DRAWING

21775 Eighth Street East  
Sonoma, CA 95476-0329  
FAX: (707) 938-0764

(707) 938-8441