

DESCRIPTION

1" AOD - AL, CI, SS

REF. NO.

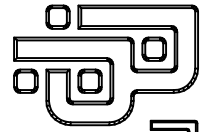
AOD1-ACS

DATE

11/27/00

REV.

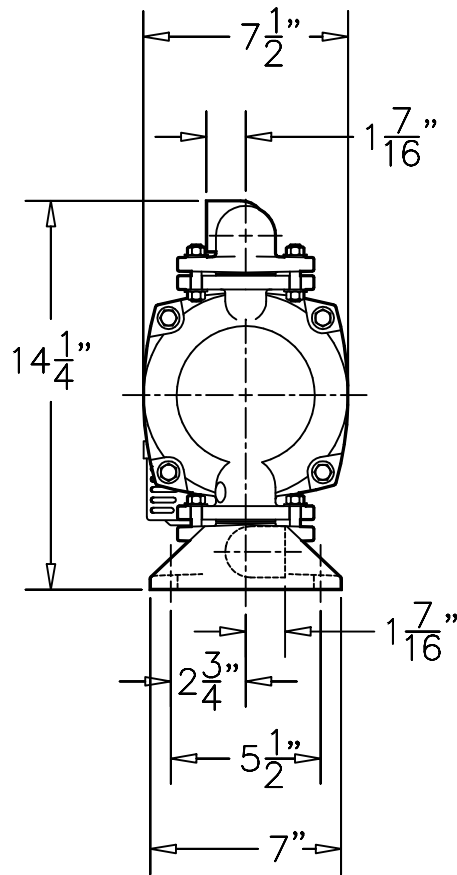
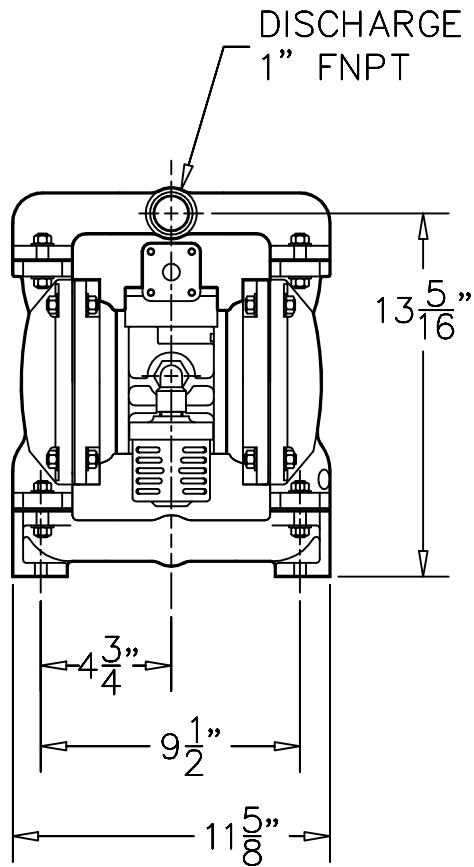
A



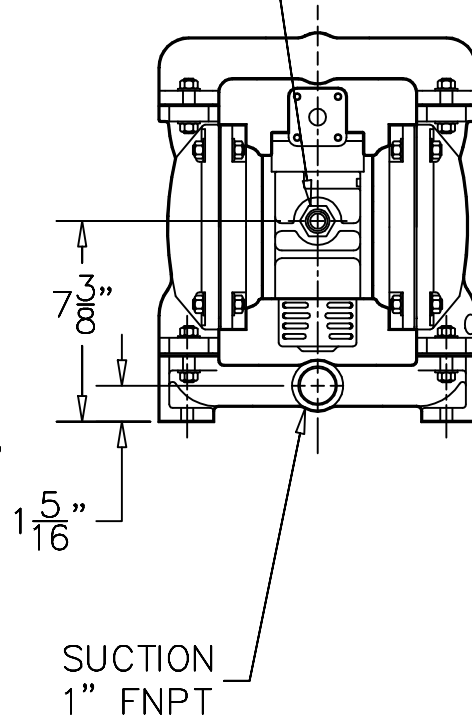
PRICE PUMP CO.

FACTORY FAX TRANSMITTAL DRAWING

#1 Pump Way P.O. Box Q
Sonoma, CA 95476 (707) 938-8441
707-FAX 938-0764



AIR INLET
125 PSI MAX
3/8" FNPT



NOTE: ALL DIMENSIONS HAVE BEEN ROUNDED TO THE NEAREST 1/16"