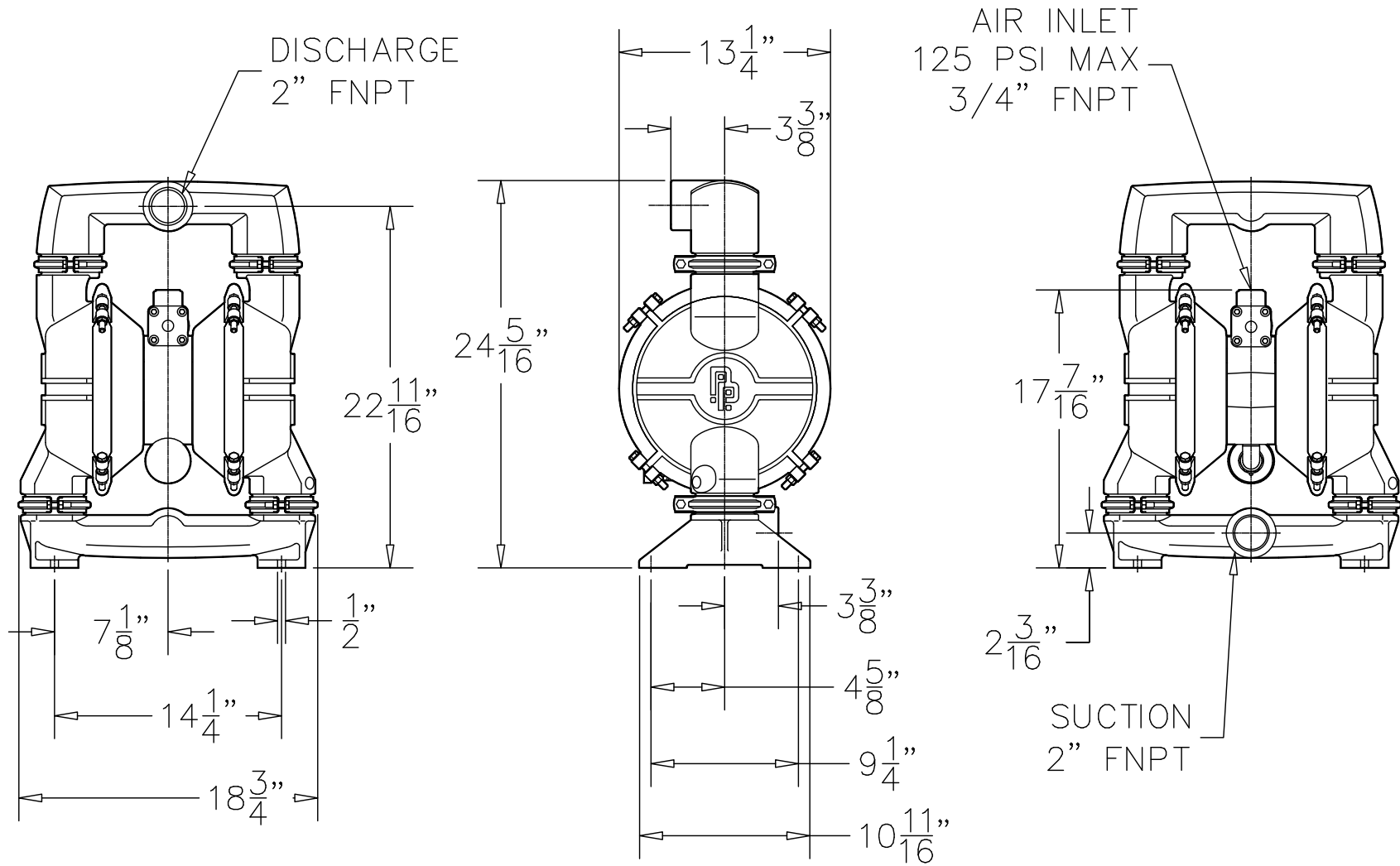


DESCRIPTION  
2" AOD ALUMINUM OUTLINE (SANTOPRENE & TEFLON ELASTOMERS)

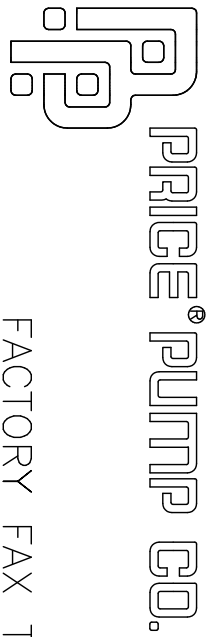
REF. NO.  
AOD2-AT

DATE  
3/21/03

REV.  
C



NOTE: ALL DIMENSIONS HAVE BEEN ROUNDED TO THE NEAREST 1/16".



FACTORY FAX TRANSMITTAL DRAWING

21775 Eighth Street East  
Sonoma, CA 95476-0329  
FAX: (707) 938-0764

(707) 938-8441