

DESCRIPTION:

2" BOLTED AOD - ALUMINUM

REF. NO.

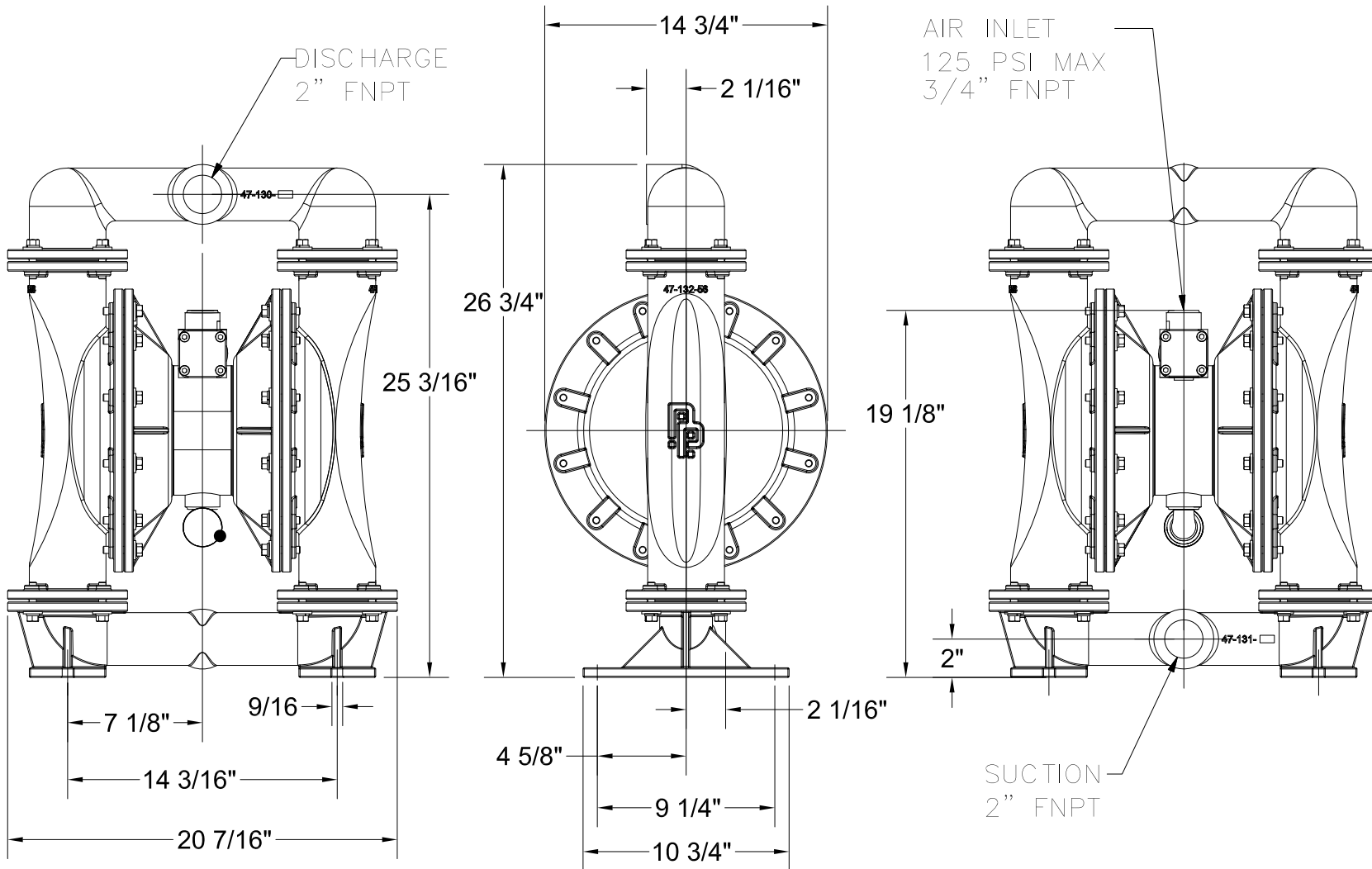
AOD2B-A

DATE:

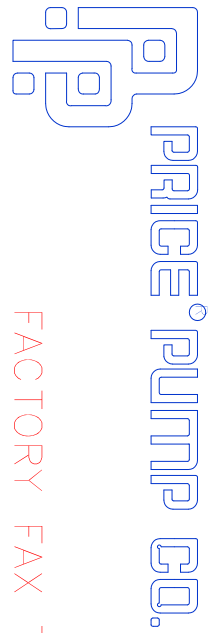
3/20/06

REV.

B



NOTE: ALL DIMENSIONS HAVE BEEN ROUNDED TO THE NEAREST 1/16".



FACTORY FAX TRANSMITTAL DRAWING

21775 Eighth Street East  
 Sonoma, CA 95476-0329  
 FAX: (707) 938-0764

(707) 938-8441