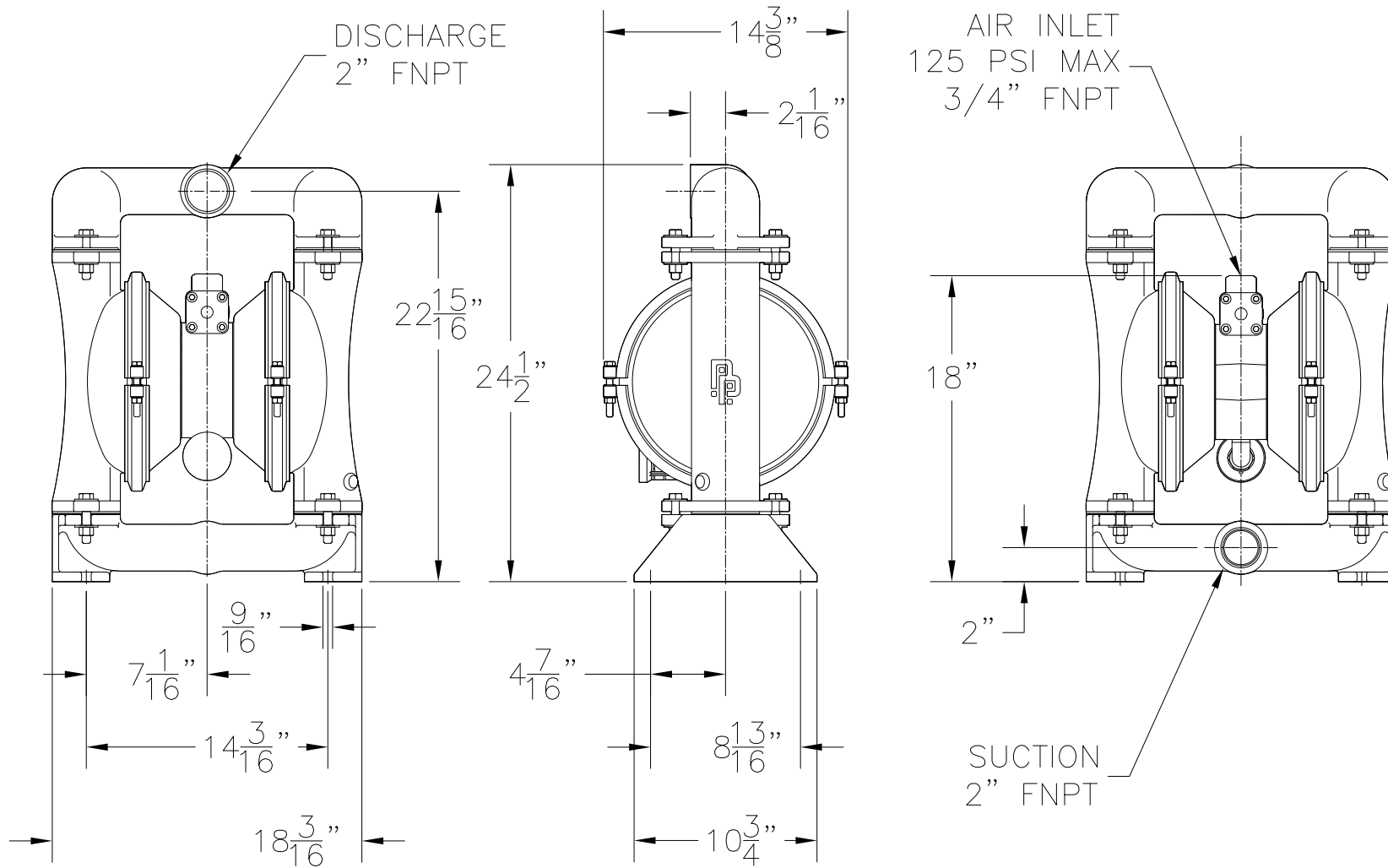


DESCRIPTION
2" AOD - CAST IRON (ALL ELASTOMERS EXCEPT SANTOPRENE & TEFLON)

REF. NO.
AOD2-C

DATE
3/28/03

REV.
B



NOTE: ALL DIMENSIONS HAVE BEEN ROUNDED TO THE NEAREST 1/16".



PRICE PUMP CO.

FACTORY FAX TRANSMITTAL DRAWING

21775 Eighth Street East
Sonoma, CA 95476-0329
FAX: (707) 938-0764

(707) 938-8441