

DESCRIPTION  
2" AOD - CAST IRON (SANTOPRENE & TEFLON ELASTOMERS)

REF. NO.  
AOD2-CT

DATE  
3/28/03

REV.  
B

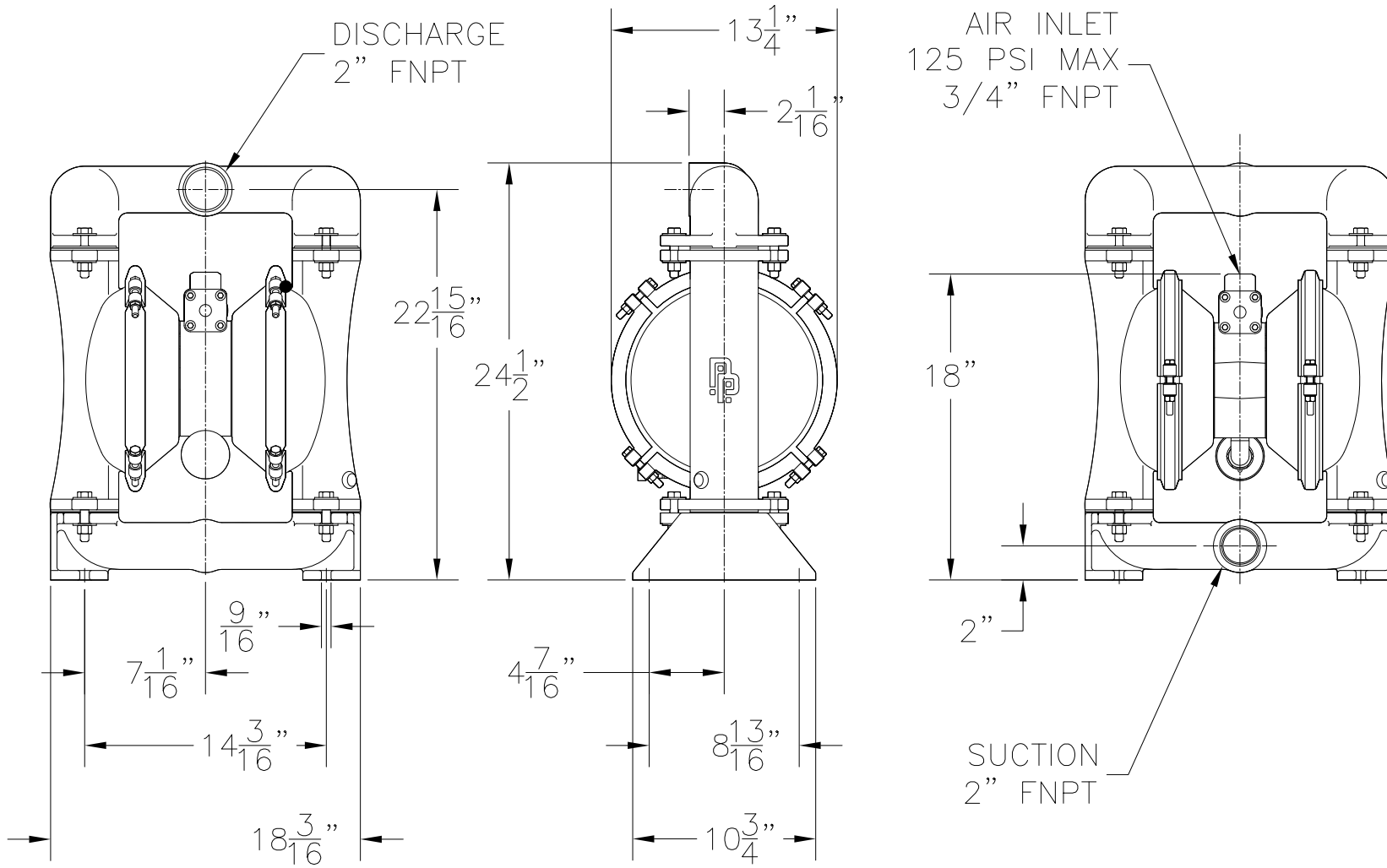


PRICE PUMP CO.

21775 Eighth Street East  
Sonoma, CA 95476-0329  
FAX: (707) 938-0764

(707) 938-8441

FACTORY FAX TRANSMITTAL DRAWING



NOTE: ALL DIMENSIONS HAVE BEEN ROUNDED TO THE NEAREST 1/16".