

DESCRIPTION

2" AOD - POLYPROPYLENE OR KYNAR

REF. NO.

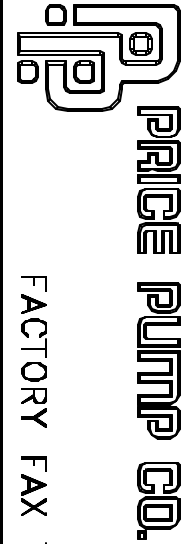
AOD2-P

DATE

9/16/02

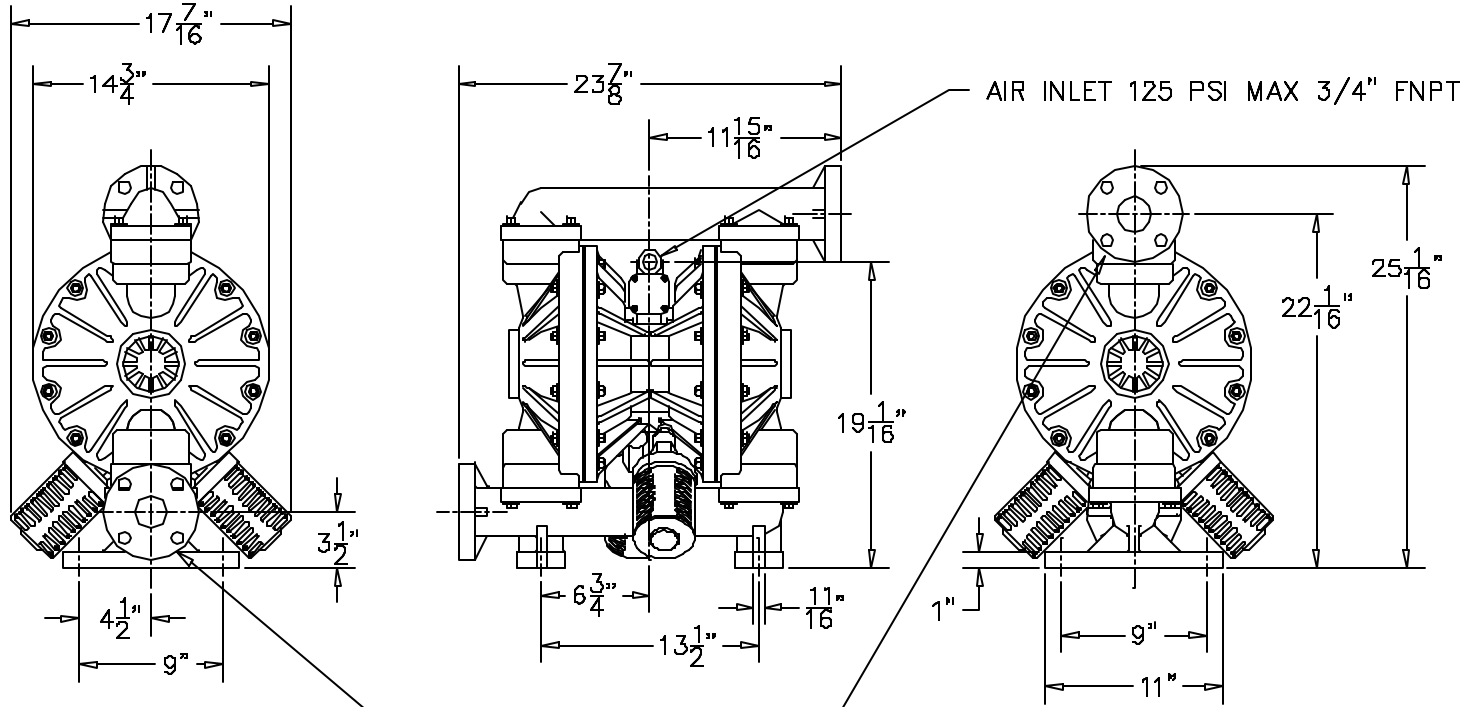
REV.

B



FACTORY FAX TRANSMITTAL DRAWING

#1 Pump Way P.O. Box Q
 Sonoma, CA 95476 (707) 938-8441
 707-FAX 938-0764



SUCTION AND DISCHARGE:
 2" ANSI FLANGES
 FLANGE OUTSIDE DIA 6.00"
 BOLT HOLES (4 EA.) ϕ .750"
 EQ SP ON A ϕ 4.750" B.C.

NOTE: ALL DIMENSIONS HAVE BEEN ROUNDED TO THE NEAREST 1/16".