

DESCRIPTION

2" AOD STAINLESS STEEL (ALL ELASTOMERS EXCEPT SANTOPRENE & TEFLON)

REF. NO.

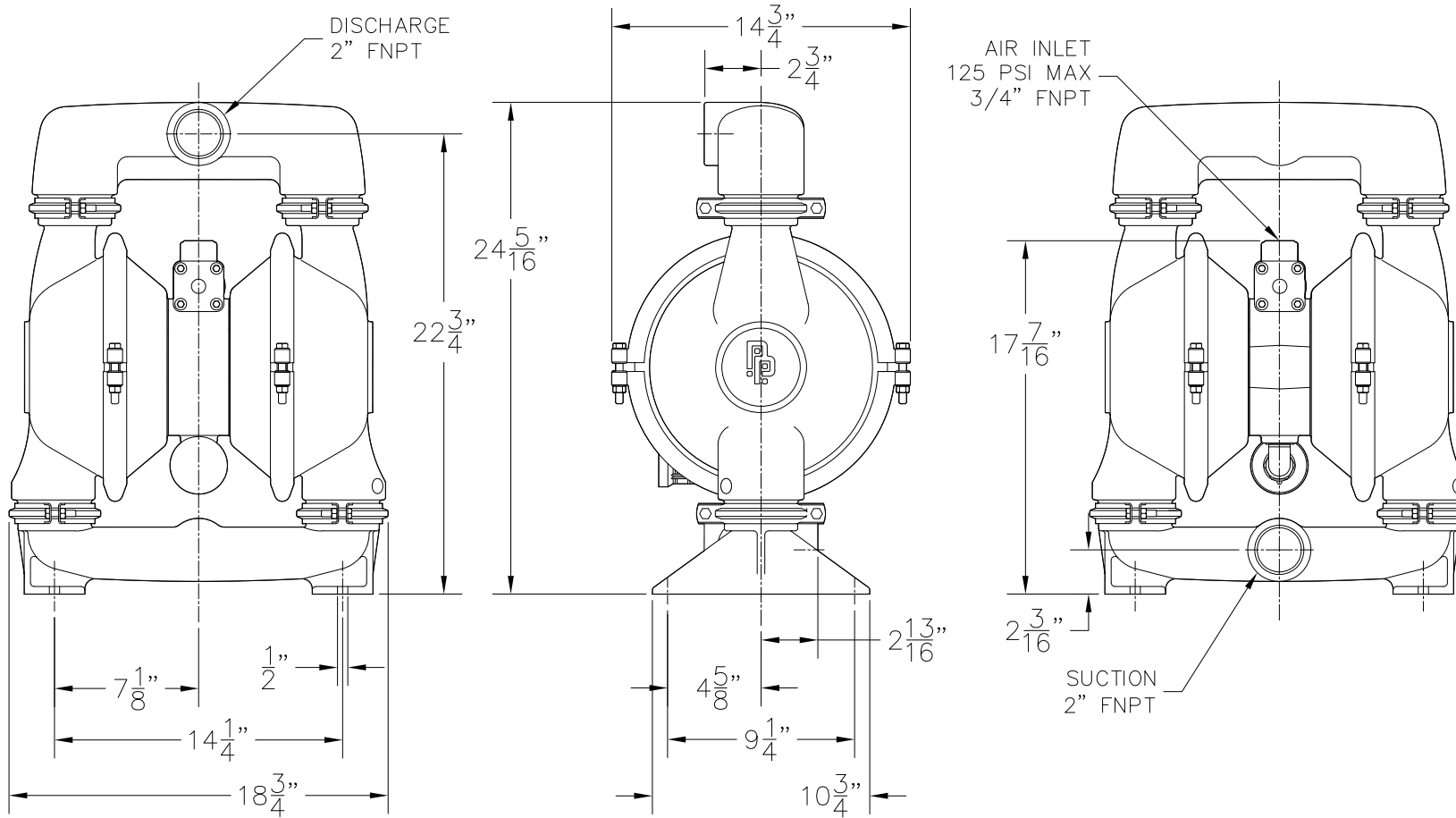
AOD2-S

DATE

4/16/03

REV.

B



NOTE: ALL DIMENSIONS HAVE BEEN ROUNDED TO THE NEAREST 1/16".



PRICE® PUMP CO.

FACTORY FAX TRANSMITTAL DRAWING

21775 Eighth Street East
Sonoma, CA 95476-0329
FAX: (707) 938-0764

(707) 938-8441