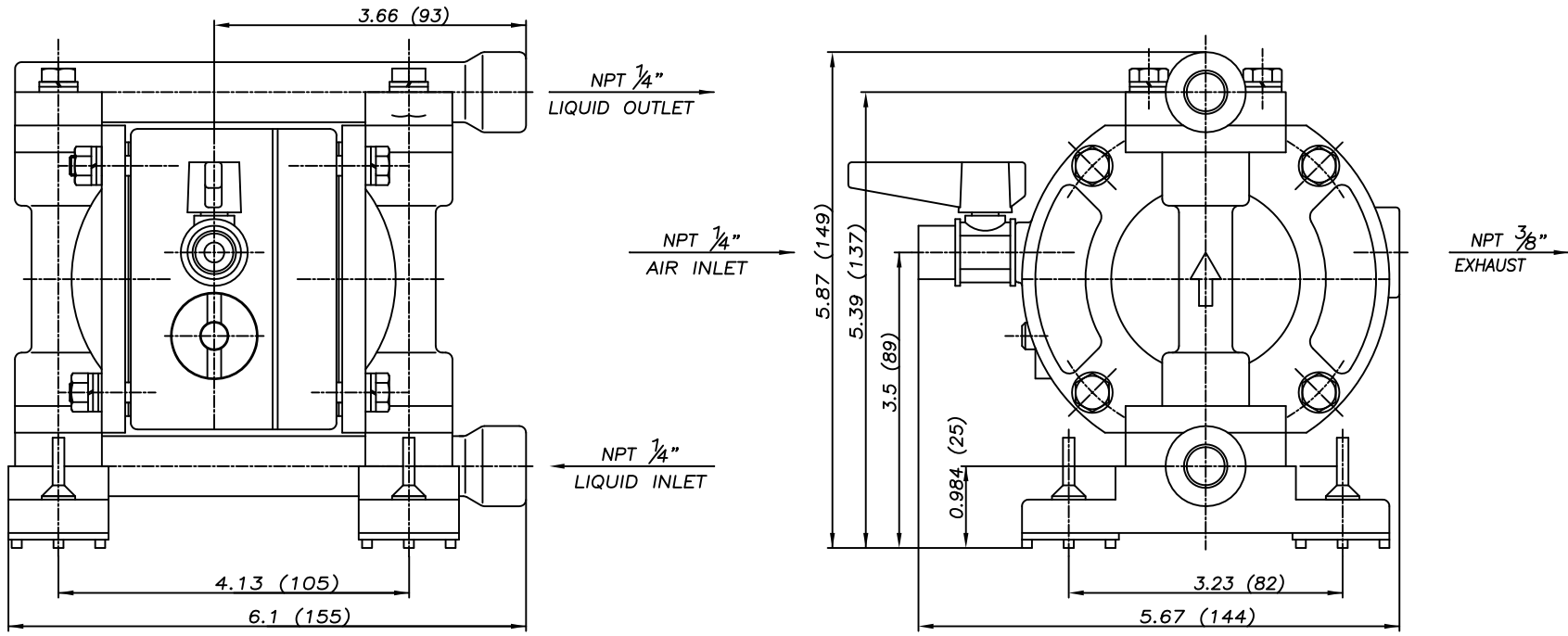


DESCRIPTION  
1/4" AOD - METALLIC OUTLINE DRAWING

REF. NO.  
AOD.25-AL

DATE  
4/9/12

REV.  
-



FACTORY FAX TRANSMITTAL DRAWING



PRICE® PUMP CO.

21775 Eighth Street East  
Sonoma, CA 95476-0329  
FAX: (707) 938-0764

(707) 938-8441

NOTE: ALL DIMENSIONS HAVE BEEN ROUNDED TO THE NEAREST 0.062".