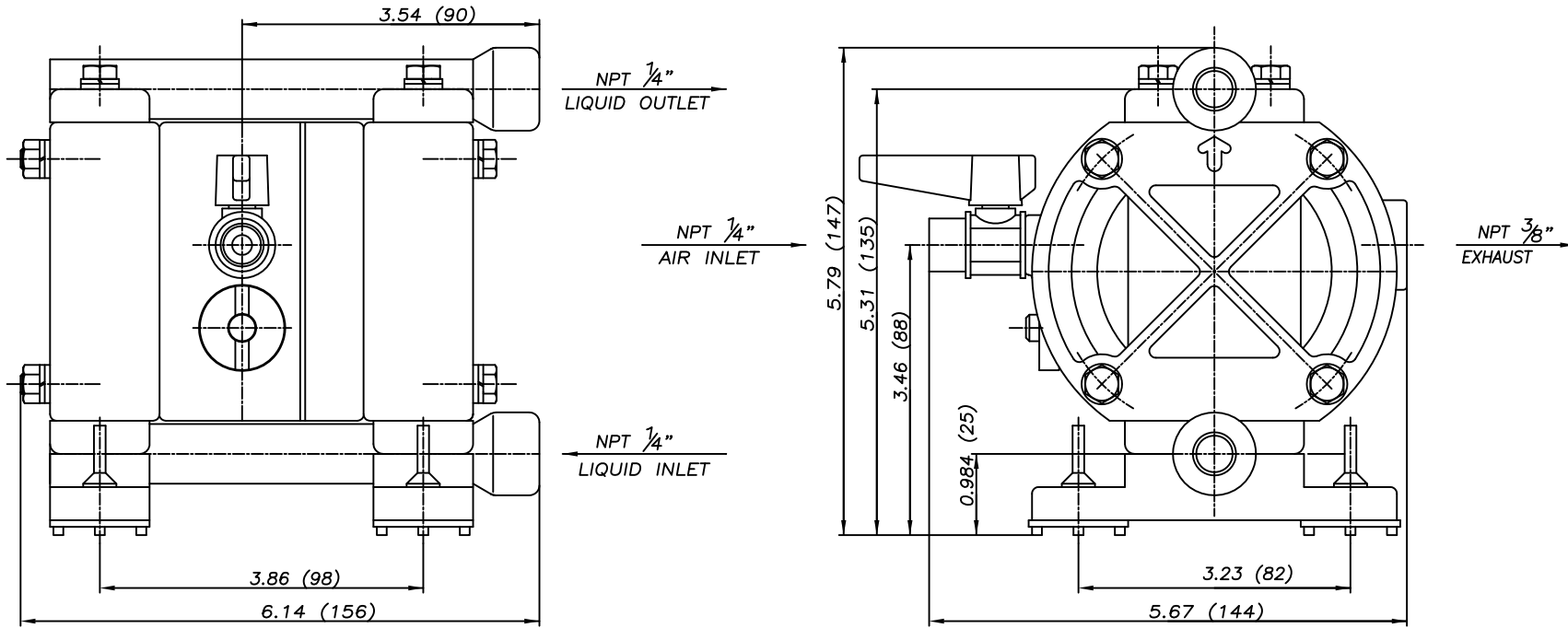


DESCRIPTION
1/4" AOD - NON-METALLIC OUTLINE DRAWING

REF. NO.
AOD.25-P,K

DATE
4/9/12

REV.
-



NOTE: ALL DIMENSIONS HAVE BEEN ROUNDED TO THE NEAREST 0.062".



PRICE PUMP CO.

FACTORY FAX TRANSMITTAL DRAWING

21775 Eighth Street East
Sonoma, CA 95476-0329
FAX: (707) 938-0764

(707) 938-8441