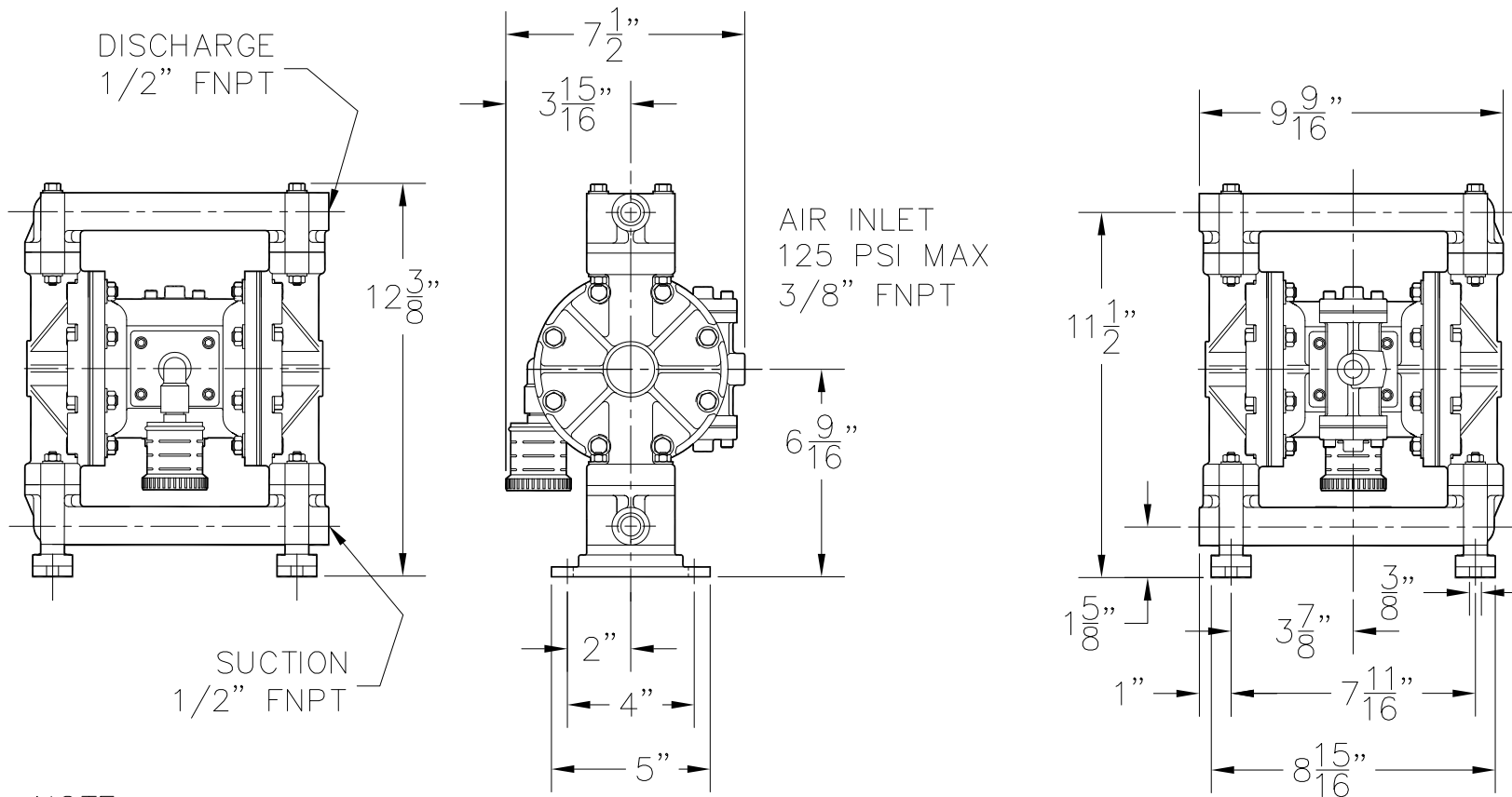


DESCRIPTION
1/2" AOD - POLYPROPYLENE

REF. NO.
AOD.5-P

DATE
01/09/03

REV.
B



NOTE:

SUCTION AND DISCHARGE
CONNECTIONS CAN BE
ORIENTED TO SUIT.

NOTE: ALL DIMENSIONS HAVE BEEN ROUNDED TO THE NEAREST 1/16".



PRICE[®] PUMP CO.

FACTORY FAX TRANSMITTAL DRAWING

21775 Eighth Street East
Sonoma, CA 95476-0329
FAX: (707) 938-0764

(707) 938-8441