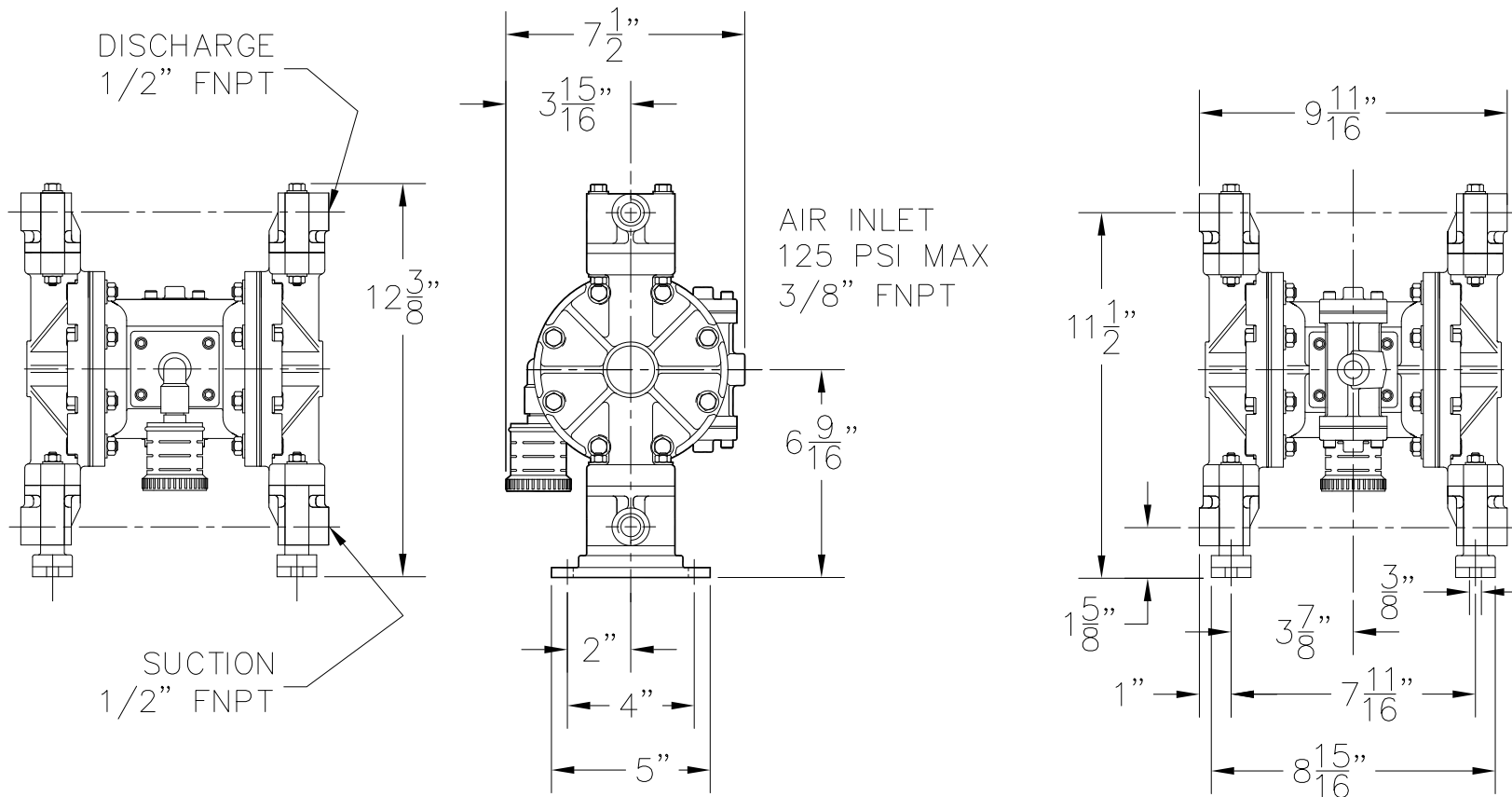


DESCRIPTION
1/2" AOD - POLYPROPYLENE - SPLIT MANIFOLDS

REF. NO.
AOD.5-P-SM

DATE
5/30/06

REV.
-



NOTE: ALL DIMENSIONS HAVE BEEN ROUNDED TO THE NEAREST 1/16".



PRICE[®] PUMP CO.

FACTORY FAX TRANSMITTAL DRAWING

21775 Eighth Street East
Sonoma, CA 95476-0329
FAX: (707) 938-0764

(707) 938-8441