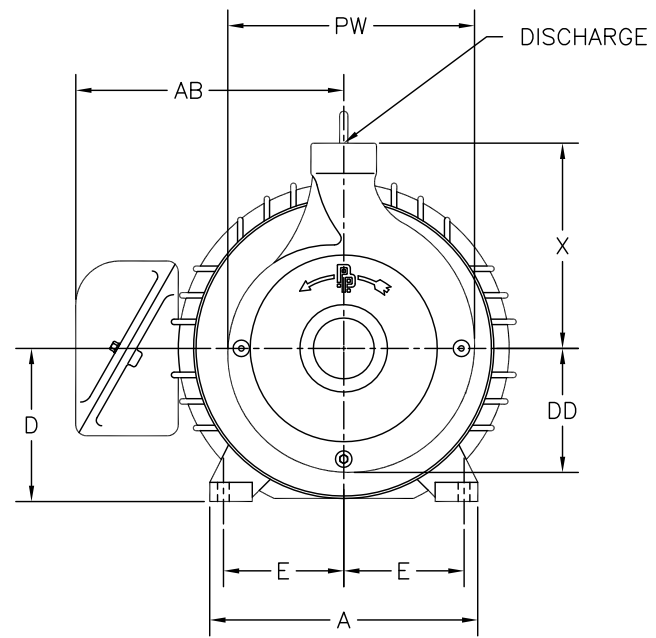
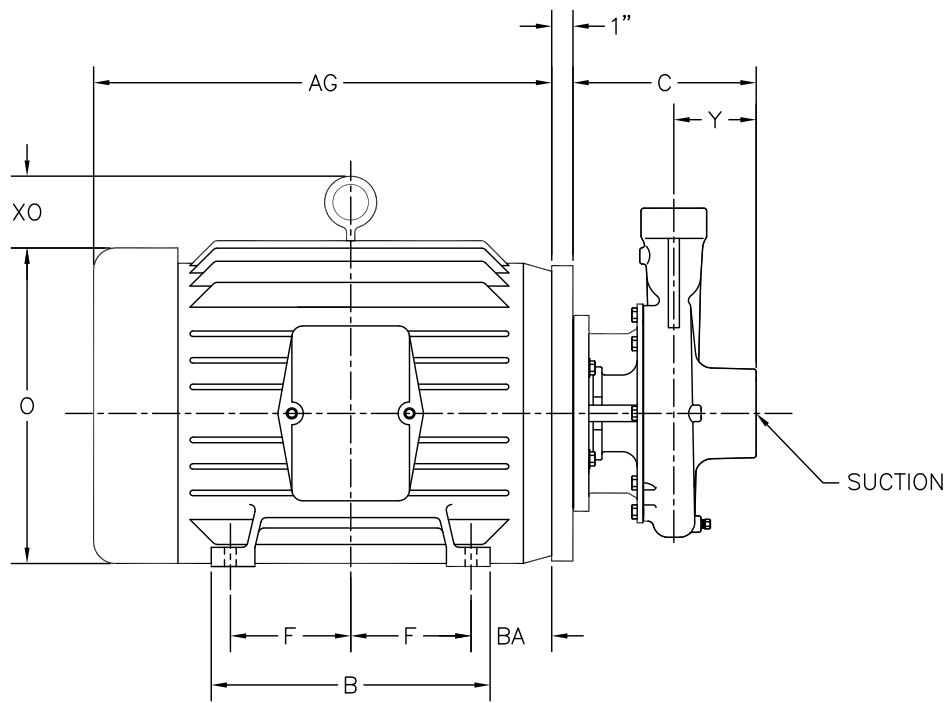


DESCRIPTION
JB CLOSE COUPLED MOTOR PUMP ASSY W/ 284/286 JM

REF. NO.
O-JB284

DATE
11/22/94

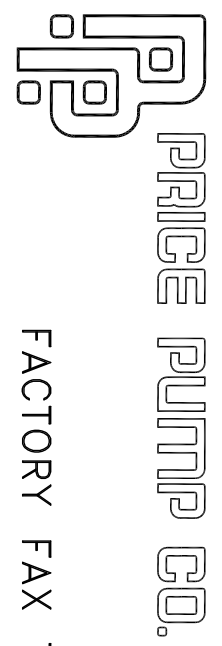
REV.
A



MOTOR END DIMENSIONS										
FRM	AG	AB	O	XO	D	BA	E	F	A	B
284JM	21 1/2	12 1/8	13 1/4	2 3/4	7	4 3/4	5 1/2	4 3/4	12 3/4	12 7/8
286JM								5 1/2		

NOTE:
MOTOR DIMENSIONS WILL VARY BY MODEL AND MAKE,
DIMENSIONS ARE TO BE USED FOR REFERENCE ONLY.

PUMP END DIMENSIONS							
	PW	DD	X	C	Y	DISCHARGE	SUCTION
JB100	10"	5"	7 1/2	7 3/4	3 1/8	1"NPT	1 1/2"NPT
JB150	10"	5"	7 1/2	8 1/4	3 9/16	1 1/2"NPT	2"NPT
JB200	11 5/16	5 11/16	9 3/8	8 3/8	3 3/4	2"NPT	3"NPT



FACTORY FAX TRANSMITTAL DRAWING

21775 Eighth Street East
Sonoma, CA 95476 (707) 938-8441
707-FAX 938-0764

NOTE: ALL DIMENSIONS ARE ROUNDED TO THE NEAREST 1/8".