

DESCRIPTION

JB100/150/200 PUMP AND 0502 POWER FRAME ASSEMBLY

REF. NO.

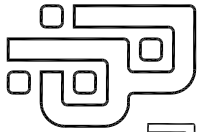
O-JBPF

DATE

6-27-91

REV.

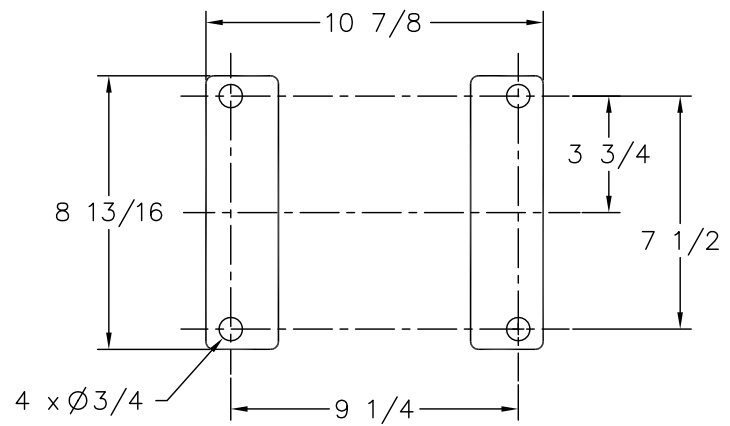
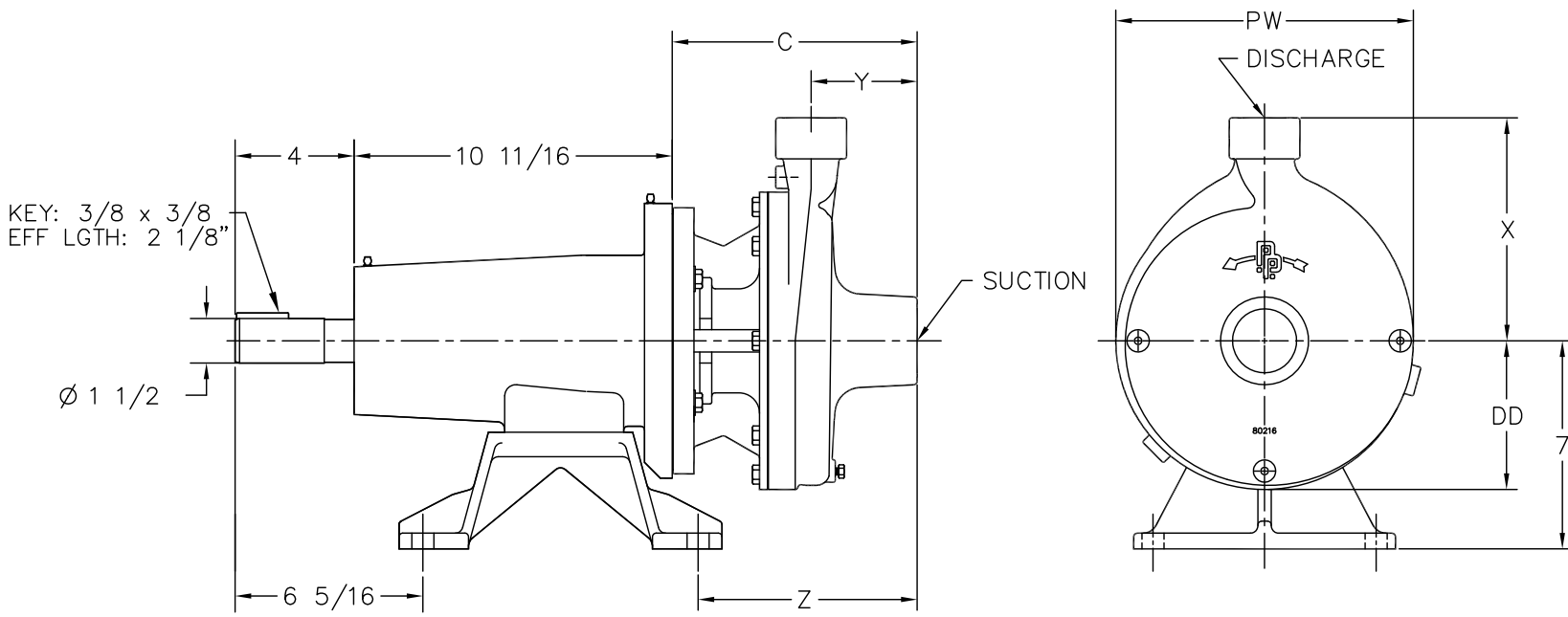
B



PRICE PUMP CO.

FACTORY FAX TRANSMITTAL DRAWING

21775 Eighth Street East
 Sonoma, CA 95476 (707) 938-8441
 707-FAX 938-0764



	PUMP END DIMENSIONS		
	JB100	JB150	JB200
PW	10"	10"	11 5/16
DD	5"	5"	5 11/16
X	7 1/2	7 1/2	9 3/8
C	7 3/4	8 1/4	8 3/8
Y	3 1/8	3 9/16	3 3/4
Z	6 7/8	7 3/8	7 1/2
DISCHARGE	1"	1 1/2"	2"
SUCTION	1 1/2"	2"	3"

NOTE: ALL DIMENSIONS ARE ROUNDED TO THE NEAREST 1/8 INCH.