

PRICE PUMP CO.

#1 Pump Way P.O. Box Q
 Sonoma, CA 95476 (707) 938-8441
 707-FAX 938-0764

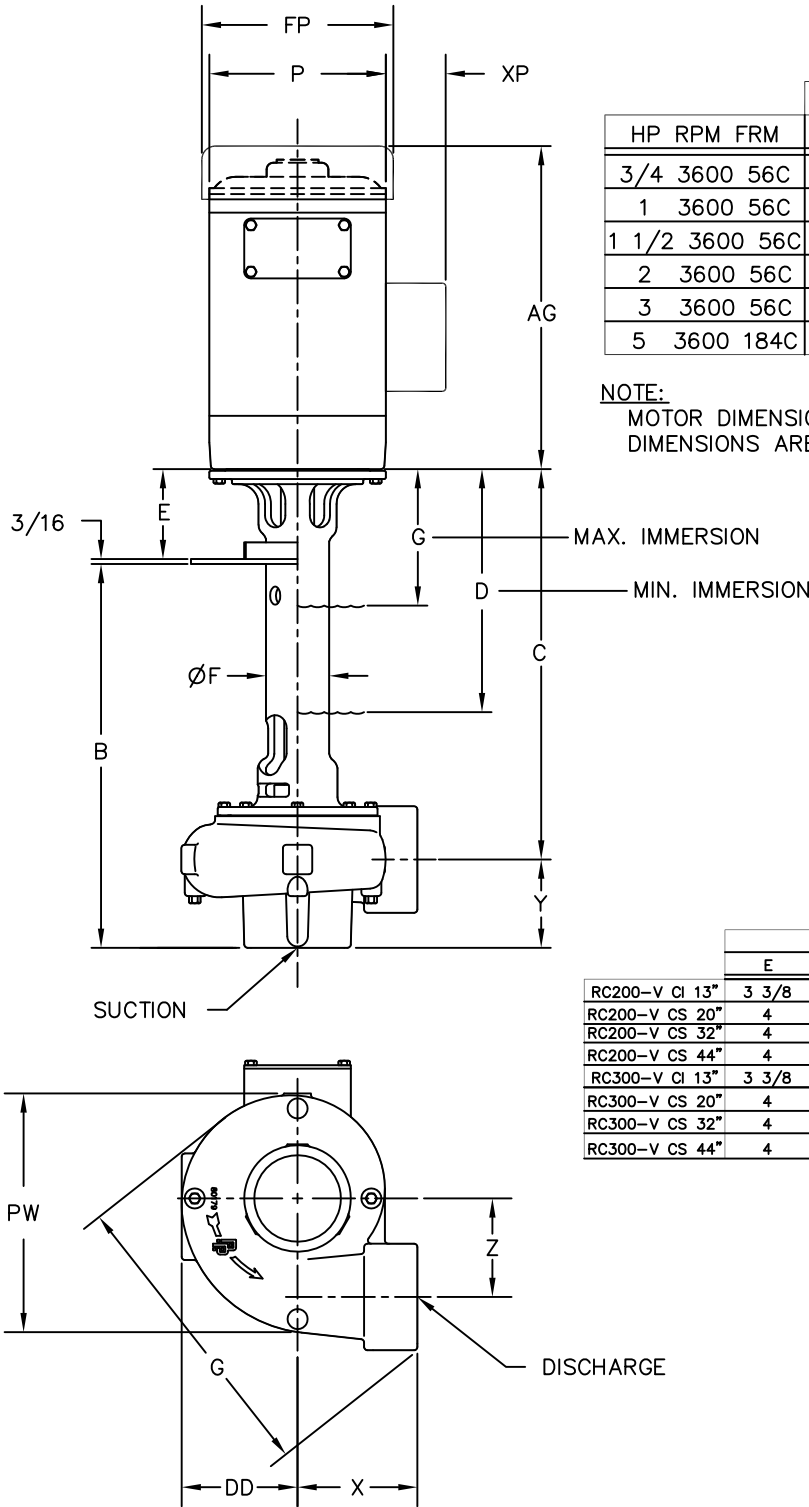
FACTORY FAX TRANSMITTAL DRAWING

REV. C

DATE 7/03/91

REF. NO. O-RCVCI

DESCRIPTION RC200/300 VERTICAL CI PUMP ASSEMBLY



HP	RPM	FRM	MOTOR END DIMENSIONS			
			AG	FP	P	XP
3/4	3600	56C	9 1/4	7 3/16	6 7/8	2 1/16
1	3600	56C	9 3/4	7 3/16	6 7/8	2 1/16
1 1/2	3600	56C	10 1/2	7 3/16	6 7/8	2 1/4
2	3600	56C	11 1/8	7 3/16	6 7/8	2 1/4
3	3600	56C	12 3/8	7 3/16	6 7/8	2 1/4
5	3600	184C	13 9/16	8 1/2	8 1/4	2 1/4

NOTE:
 MOTOR DIMENSIONS WILL VARY BY MODEL AND MAKE;
 DIMENSIONS ARE TO BE USED FOR REFERENCE ONLY.

	COLUMN DIMENSIONS				IMMERSION	
	E	B	C	F	MIN. D	MAX. G
RC200-V CI 13"	3 3/8	11 3/4	13 15/16	2 3/8	9 1/8	5 1/8
RC200-V CS 20"	4	20 5/16	21 5/8	2 1/2	18 1/16	4 15/16
RC200-V CS 32"	4	30 5/16	33 5/8	2 1/2	30 1/16	4 15/16
RC200-V CS 44"	4	44 5/16	45 5/8	2 1/2	42 1/16	4 15/16
RC300-V CI 13"	3 3/8	12 11/16	14 1/16	2 3/8	9 1/8	5 1/8
RC300-V CS 20"	4	20 3/4	21 5/8	2 1/2	18 1/16	4 15/16
RC300-V CS 32"	4	32 3/4	33 5/8	2 1/2	30 1/16	4 15/16
RC300-V CS 44"	4	44 3/4	45 5/8	2 1/2	42 1/16	4 15/16

	PUMP END DIMENSIONS							PIPE THREADS	
	B	G	DD	PW	X	Y	Z	SUCTION	DISCHG
RC200-V	13 15/16	8 3/4	3 1/2	7 1/8	3 3/4	2 7/8	2 1/2	2"	2"
RC300-V	14 13/32	11 1/2	4 3/8	9 3/16	4 1/2	3 5/16	3 3/4	3"	3"

NOTE: ALL DIMENSIONS ARE ROUNDED TO THE NEAREST 1/8 INCH.