

DESCRIPTION

F-50/75/95 CLOSE COUPLED MOTOR PUMP ASSEMBLY

REF. NO.

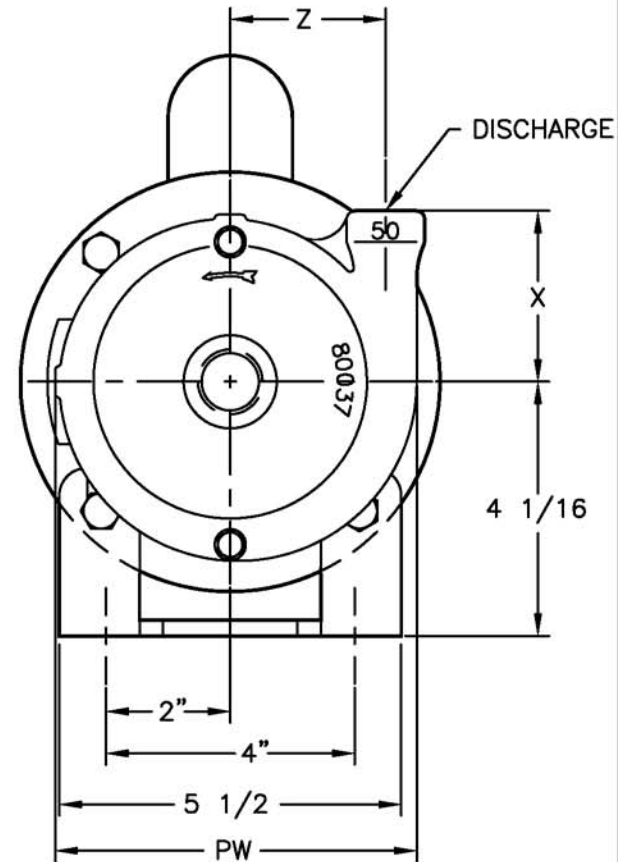
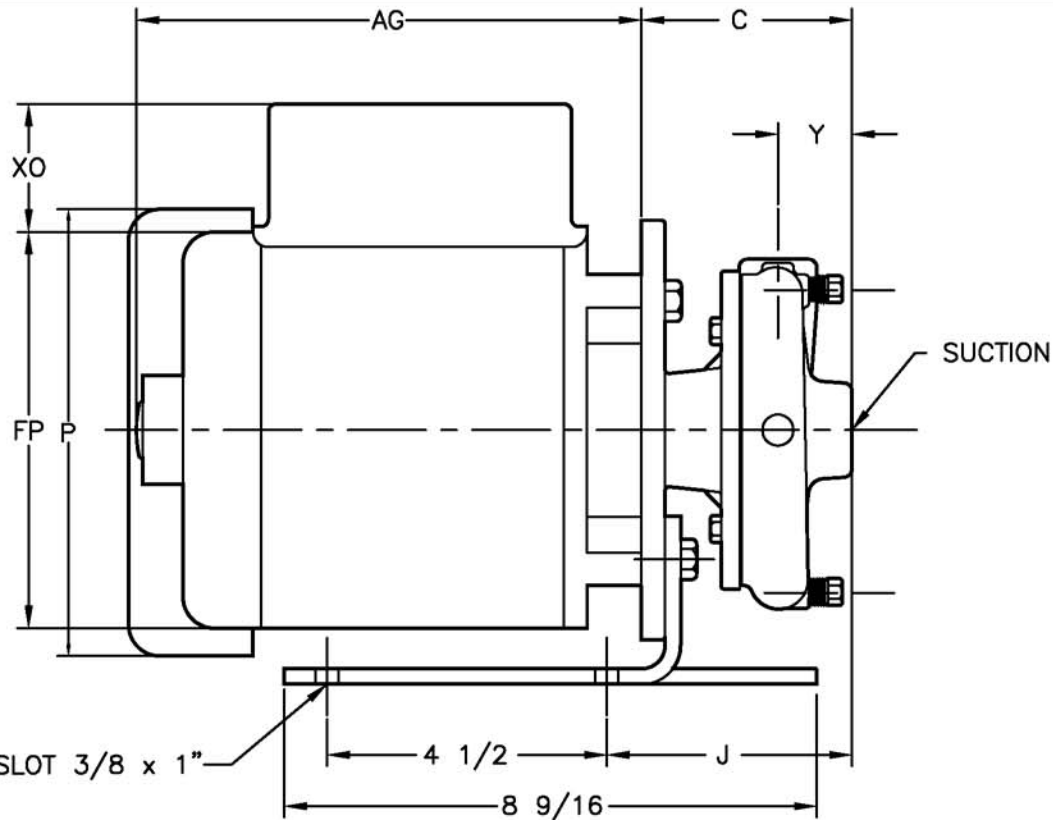
O-FCIH

DATE

10/03/07

REV.

C



MOTOR END DIMENSIONS

HP	RPM	FRM	AG	FP	P	X0
1/3	3600	56J	8 3/4	7 3/16	6 5/8	2 1/4
1/2	3600	56J	8 3/4	7 3/16	6 5/8	2 1/4
3/4	3600	56J	9 1/8	7 3/16	6 5/8	2 1/4
1	3600	56J	9 3/4	7 3/16	6 5/8	2 1/4
1 1/2	3600	56J	10 1/4	7 3/16	6 5/8	2 1/4
2	3600	56J	10 3/4	7 3/16	6 5/8	2 1/4

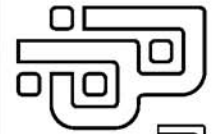
NOTE:

MOTOR DIMENSIONS WILL VARY BY MODEL AND MAKE. DIMENSIONS ARE TO BE USED FOR REFERENCE ONLY.

ALL DIMENSIONS ARE ROUNDED TO THE NEAREST 1/8".

PUMP END DIMENSIONS

MODEL	PUMP END DIMENSIONS							THREADED NPT	
	C	DD	PW	J	X	Y	Z	DISCH.	SUC.
F50	3 3/8	2 7/8	5 13/16	3 15/16	2 3/4	1 3/16	2 1/2	1/2"	3/4"
F75	3 11/16	2 15/16	6 1/4	4 1/4	3 1/4	1 1/2	2 1/2	3/4"	1"
F95	3 11/16	2 15/16	6 1/4	4 1/4	3 1/4	1 1/2	2 1/2	1"	1 1/4"



PRICE PUMP CO.

FACTORY FAX TRANSMITTAL DRAWING

#1 Pump Way P.O. Box Q
 Sonoma, CA 95476 (707) 938-8441
 707-FAX 938-0764