

PRICE PUMP CO.

FACTORY FAX TRANSMITTAL DRAWING

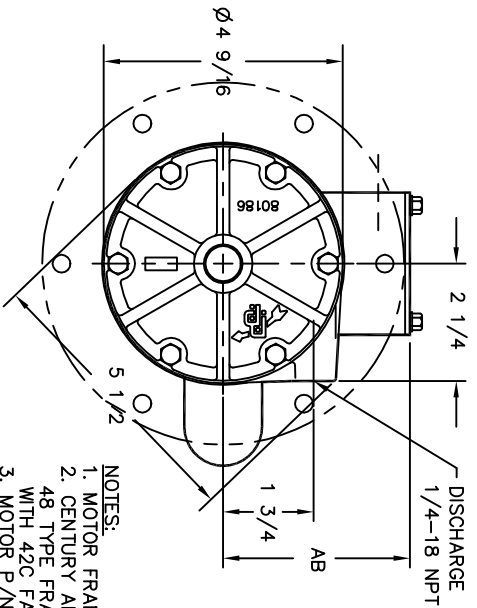
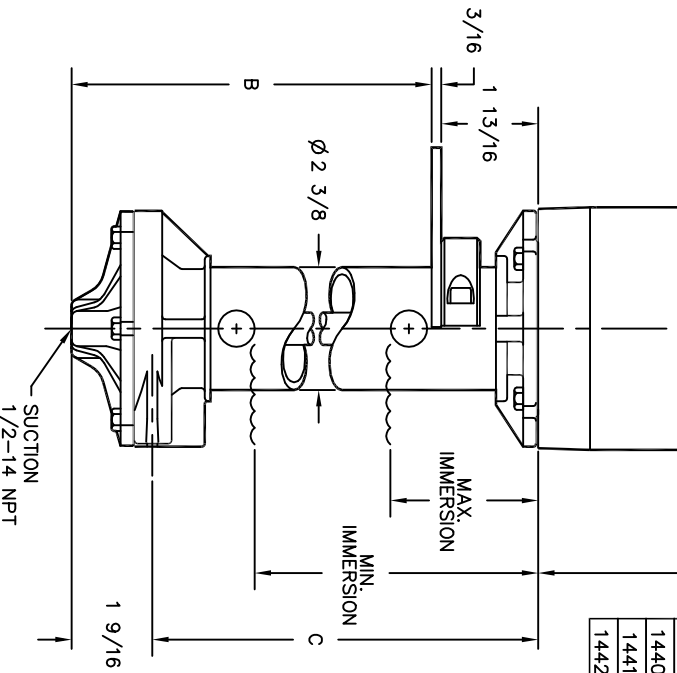
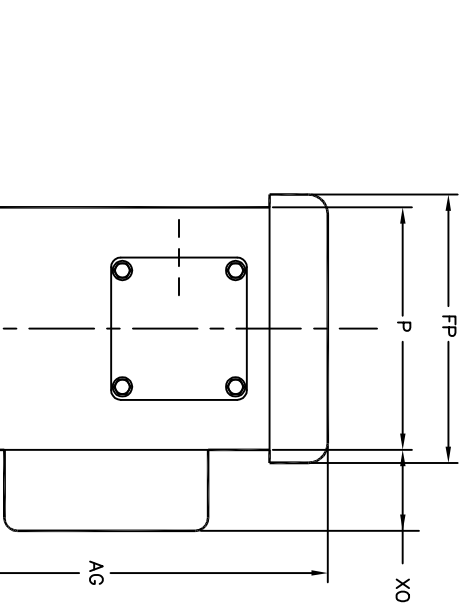
#1 Pump Way P.O. Box Q
 Sonoma, CA 95476 (707) 938-8441
 707-FAX 938-0764

REV. B

DATE 9/10/91

REF. NO. O-LT25V

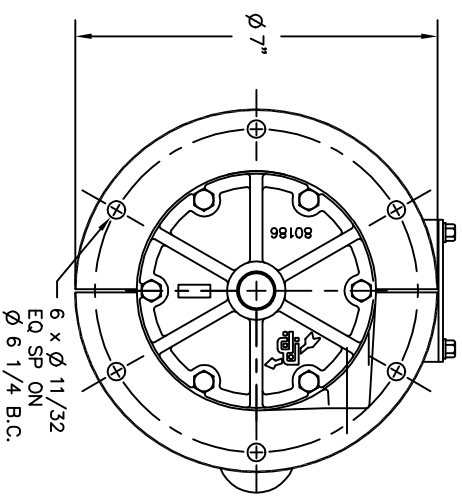
DESCRIPTION LT25 VERTICAL SS MOTOR PUMP ASSEMBLY



MOTOR FRAME DIMENSIONS

P/N	TYPE	PH	MFR	P	AB	AG	FP	XO
1438	ODP	1/60	CENTURY	5 5/8	N/A	8	N/A	2
1608		1/60				8		
1439	TEFC	1/60	BALDOR	4 11/16	4 1/16	9 5/16	5 3/16	1 9/16
1440		3/60				5 5/16		N/A
1441	EXP	1/60	G.E.	6 5/8	N/A	9 5/8	N/A	N/A
1442		3/60				9 1/4		N/A

COLUMN LENGTH	COLUMN DIMS		IMMERSIONS	
	B	C	MAX	MIN
7 1/2	7 1/16	7 1/2	2 7/8	5"
13"	12 9/16	13"	10 1/2	
20"	19 9/16	20"	17 1/2	



MOUNTING PLATE DETAIL

- NOTES:
1. MOTOR FRAMES WILL VARY IN LOOK, PER MANUFACTURER.
 2. CENTURY AND G.E. MOTORS ARE MANUFACTURED WITH 48 TYPE FRAME AND 42C FACE, BALDOR IS 42 TYPE FRAME WITH 42C FACE.
 3. MOTOR P/N INDICATES PRICE PUMP CO. PART NUMBER, AND HAS NO SIMILARITY WITH MANUFACTURER PART NUMBERS.
 4. ALL DIMENSIONS HAVE BEEN ROUNDED TO THE NEAREST 1/8 INCH.