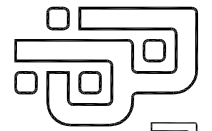


DESCRIPTION
XTCIJM CLOSE COUPLED MOTOR PUMP ASSEMBLY

REF. NO.
O-XTCIJM

DATE
1/28/93

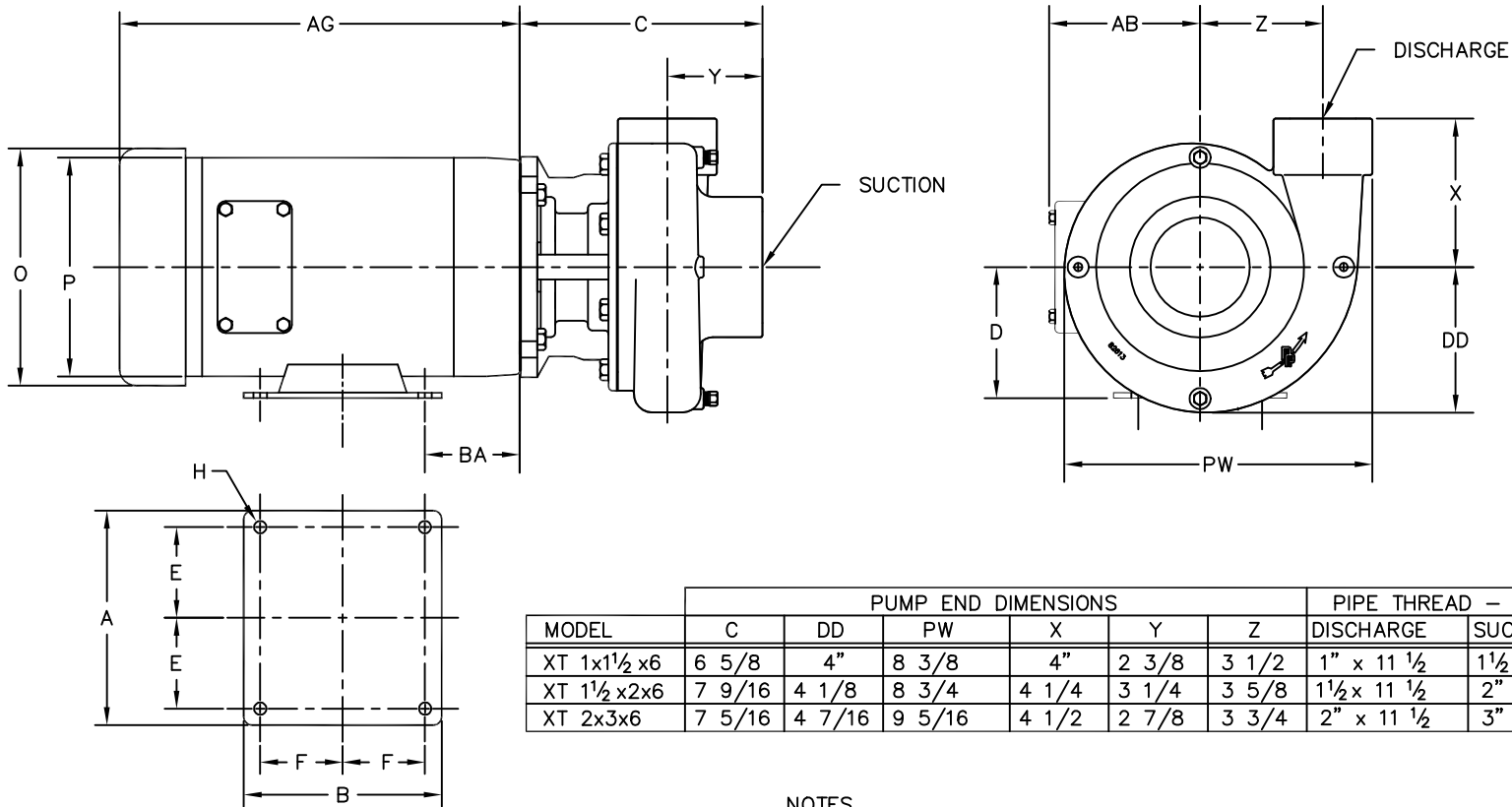
REV.
C



PRICE PUMP CO.

FACTORY FAX TRANSMITTAL DRAWING

#1 Pump Way P.O. Box Q
Sonoma, CA 95476 (707) 938-8441
707-FAX 938-0764



MODEL	PUMP END DIMENSIONS						PIPE THREAD - NPT	
	C	DD	PW	X	Y	Z	DISCHARGE	SUCTION
XT 1x1½ x6	6 5/8	4"	8 3/8	4"	2 3/8	3 1/2	1" x 11 1/2	1½ x 11 1/2
XT 1½ x2x6	7 9/16	4 1/8	8 3/4	4 1/4	3 1/4	3 5/8	1½ x 11 1/2	2" x 11 1/2
XT 2x3x6	7 5/16	4 7/16	9 5/16	4 1/2	2 7/8	3 3/4	2" x 11 1/2	3" x 8

NOTES
ALL DIMENSIONS ARE ROUNDED TO THE NEAREST 1/8 INCH.

HP	RPM	FRM	JM MOTOR END DIMENSIONS								ODP		TEFC & EXP. PRF		
			A	B	D	E	F	H	BA	O	P	AB	AG	AB	AG
1 1/2	3600	143JM	6-1/2	5-15/16	3-1/2	2-3/4	11/32	2-7/8	6-7/8	6-5/8	5-1/4	8-3/4	6-3/4	11-1/4	
2	3600	145JM													2
3	3600	145JM													2-1/2
5	3600	182JM	8-1/2	6-1/2	4-1/2	3-3/4	13/32	3-1/2	8-7/16	7-7/8	5-7/8	11-1/8	7-3/8	14-3/4	
7 1/2	3600	184JM													2-1/4 2-3/4
10	3600	213 (W/ 184 FACE)	9-1/2	8	5-1/4	4-1/4	13/32	3-1/8	10-1/16	9-9/16	N/A		7-3/8	14-7/16	
15	3600	213 (W/ 184 FACE)													

NOTE: MOTOR DIMENSIONS WILL VARY BY MODEL AND MAKE. DIMENSIONS ARE TO BE USED FOR REFERENCE ONLY.