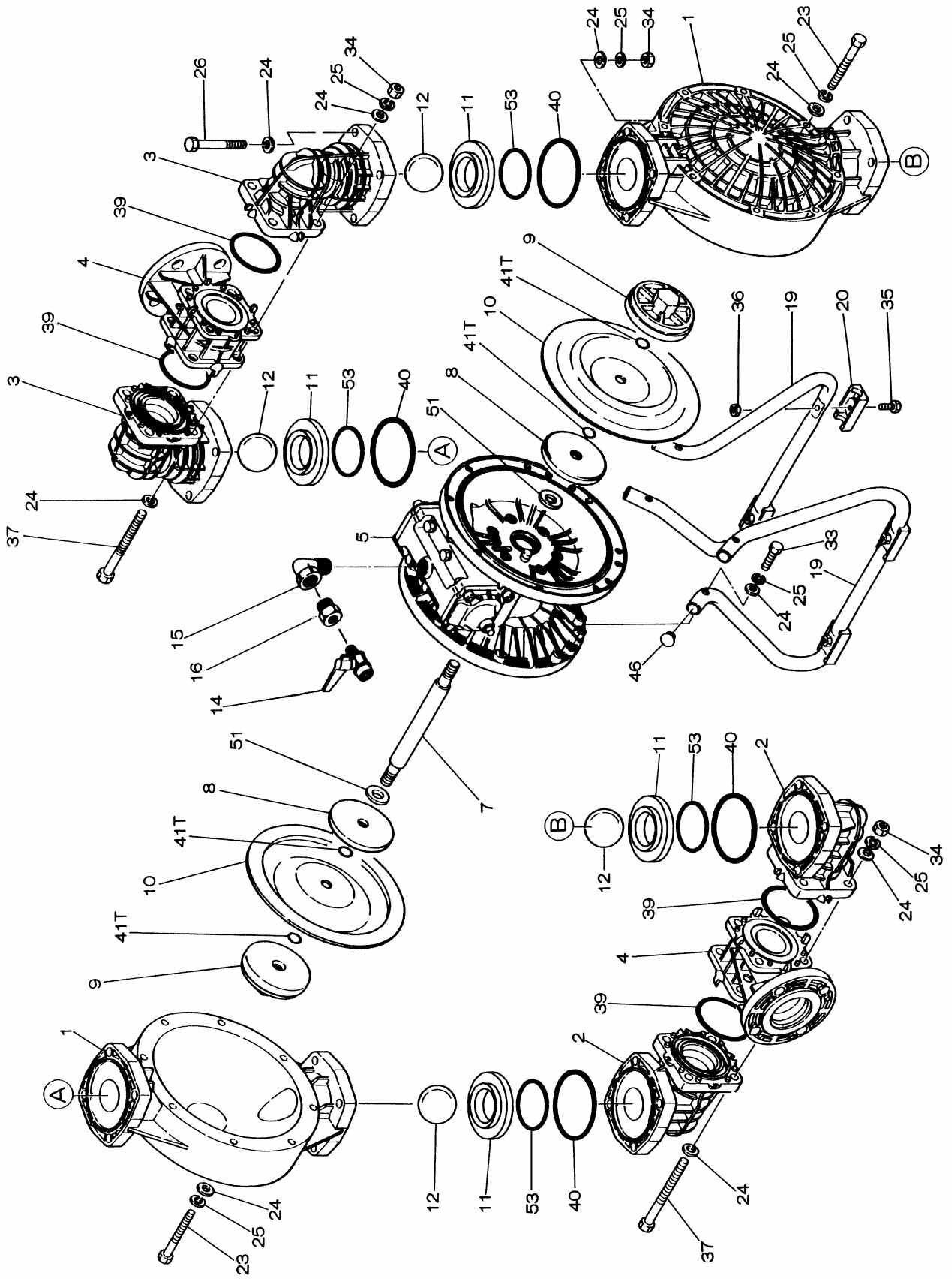


9.3 Exploded View

■NDP- 40BP_ ,BV_



9.3 Parts List

■ NDP- 40BP_,BV_

NO.	BP_	BV_	DESCRIPTION	Q'TY	NOTE
1	780147	780257	OUT CHAMBER	2	
2	780244	780251	IN MANIFOLD	2	
3	780150	780258	OUT MANIFOLD	2	
4	780248	780216	CENTER MANIFOLD	2	
5	803117	803117	BODY ASSEMBLY	1	
7	711900	711900	CENTER ROD	1	
7T	711939	711939	CENTER ROD	1	
8	711902	711902	CENTER DISK	2	
8T	707817	707817	CENTER DISK	2	
9	771725	772730	CENTER DISK	2	
9T	771726	780207	CENTER DISK	2	
10	Tab.1	Tab.2	DIAPHRAGM	2	
11	772096	772739	VALVE SEAT	4	
12	Tab.4	770692	BALL	4	
14	684321	684321	BALL VALVE	1	1/2"
15	682523	682523	ELBOW	1	3/4"
16	684339	684339	BUSHING	1	3/4"x1/2"
19	711925	711925	STAND BODY	2	
20	771865	771865	CUSHION	4	
23	686156	686156	BOLT	16	M10x1.5x105
24	631330	631330	PLAIN WASHER	68	
25	680257	680257	SPRING LOCK WASHER	44	
26	621183	621183	BOLT	16	M10x1.5x60
33	621179	621179	BOLT	4	M10 × 1.5 × 40
34	628013	628013	NUT	24	M10x1.5
35	621149	621149	BOLT	4	M8x1.25x25
36	683837	683837	NUT WITH FLANGE	4	M8x1.25
37	683542	683542	BOLT	8	M10x1.5x120
39	Tab.7	643060	O RING	4	
40	Tab.8	643064	O RING	4	
41T	643015	643015	O RING	4	P16 PTFE
46	683641	683641	CAP	4	
50	790911	790911	NAME PLATE	1	
51	770582	770582	CUSHION	2	EXCLUDED BPT
53	Tab.11	643136	O RING	4	

NOTE 1)T : BPT

2)Tab.1~Tab.11 : SEE [9.8 PARTS LIST"COMMON PARTS"]

3)NO.50(NAME PLATE) IS NOT INDICATED IN EXPLODED VIEW

9.8 Parts List

COMMON PARTS

Tab.1 DIAPHRAGM

[BA_,BS_,BF_,BP_]

TYPE	NDP-40
B_C	771853
B_N	771700
B_E	771854
B_V	771799
B_T	770814
B_H	771701
B_S	771975

MATERIAL
CR
NBR
EPDM
FKM
PTFE
TPEE
TPO

Tab.3 VALVE SEAT

[BA_,BS_,BF_]

TYPE	NDP-40	
	BA_	BS/BF_
B_C	771956	771956
B_N	771994	771994
B_E	771921	771921
B_V	771997	771997
B_T	712382	711908
B_H	771793	771793
B_S	772003	772003

MATERIAL
CR
NBR
EPDM
FKM
A5056
SS316
TPEE
TPO

Tab.4 BALL

[BA_,BS_,BF_,BP_]

TYPE	NDP-40
B_C	770550
B_N	770584
B_E	770593
B_V	770602
B_T	770692
B_H	770584
B_S	770593

MATERIAL
CR
NBR
EPDM
FKM
PTFE
NBR
EPDM

Tab.6 NUT(M16x1.5)

[BA_,BS_,BF_]

TYPE	NDP-40
B_C	683408
B_N	683408
B_E	683408
B_V	706128
B_T	706128
B_H	683408
B_S	683408

MATERIAL
PA,SS316
PA,SS316
PA,SS316
SS316
SS316
PA,SS316
PA,SS316

Tab.7 O RING

TYPE	NDP-40	
	BP□	
	P70	
B□C	640060	
B□N	640060	
B□E	683998	
B□V	642060	
B□T	643060	
B□H	640060	
B□S	683998	

MATERIAL
NBR
NBR
EPDM
FKM
PTFE
NBR
EPDM

Tab.8 O RING

TYPE	NDP-40	
	BA/BS/BF□	BP□
	P90	P85
B□C	640065	640064
B□N	640065	640064
B□E	683999	684121
B□V	642065	642064
B□T	643065	643064
B□H	640065	640064
B□S	683999	684121

MATERIAL
NBR
NBR
EPDM
FKM
PTFE
NBR
EPDM

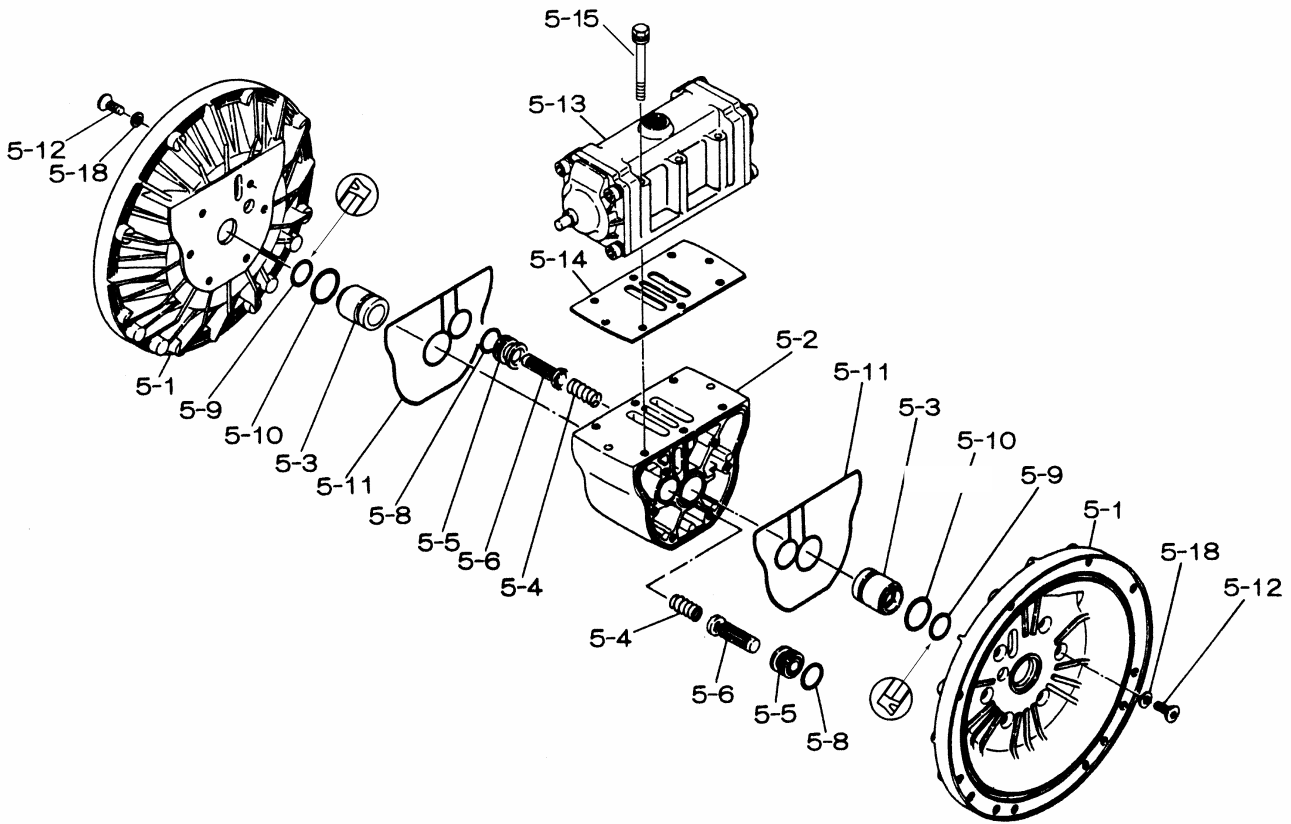
Tab.11 O RING

TYPE	NDP-40	
	BP□	
	G55	
B□C	640136	
B□N	640136	
B□E	685447	
B□V	642136	
B□T	643136	
B□H	640136	
B□S	685447	

MATERIAL
NBR
NBR
EPDM
FKM
PTFE
NBR
EPDM

9.9 Exploded View

■ BODY ASSEMBLY



9.9 Parts List

■ BODY ASSEMBLY

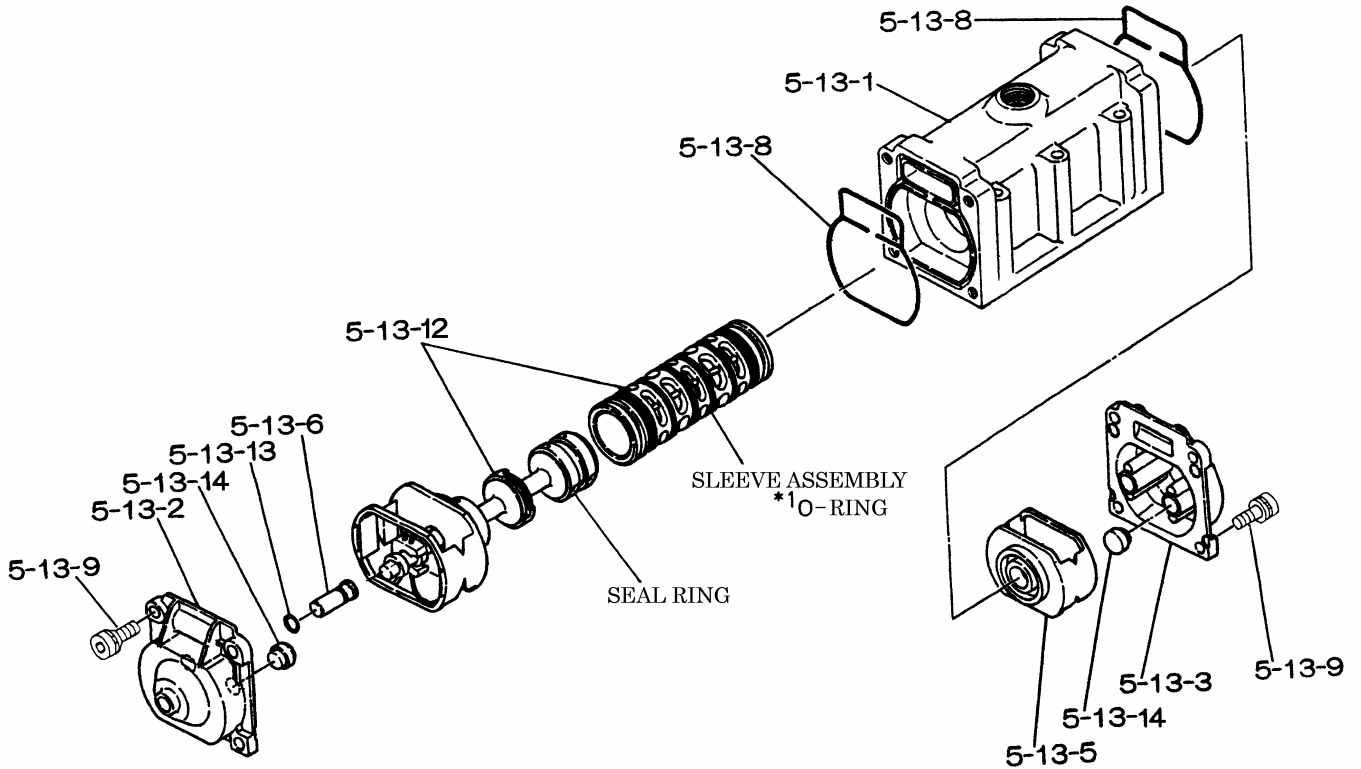
BODY ASSEMBLY

NO.	NDP-40
	803111
	803117
5-1	711933
5-2	711936
5-3	772689
5-4	711937
5-5	771740
5-6	832162
5-8	640020
5-9	685444
5-10	640029
5-11	771742
5-12	683812
5-13	802971
5-14	771712
5-15	684240
5-18	684987

DESCRIPTION	Q'TY	NOTE
AIR CHAMBER	2	
BODY	1	
THROAT BEARING	2	
SPRING	2	
VALVE SEAT	2	
PILOT VALVE ASSEMBLY	2	
O RING	2	P22A NBR
PACKING	2	PNY-25
O RING	2	P30 NBR
GASKET	2	
FLAT HEAD BOLT	12	M8x1.25x20
VALVE BODY ASSEMBLY	1	
GASKET	1	
BOLT	6	M8x1.25x85
PLAIN WASHER	12	

9.10 Exploded View

■ VALVE BODY ASSEMBLY



9.10 Parts List

■ VALVEBODY ASSEMBLY

802971 VALVE BODY ASSEMBLY

NO.	PART NO.	DESCRIPTION	Q'TY	NOTE
5-13-1	711931	VALVE BODY	1	
5-13-2	580999	CAP A	1	
5-13-3	581000	CAP B	1	
5-13-5	771735	SPRING STOPPER	1	
5-13-6	712976	RESET BUTTON	1	
5-13-8	771738	GASKET	2	
5-13-9	685036	HEXAGON SOCKET HEAD BOLT	8	M8x1.25x20
5-13-12	803115	C SPOOL VALVE ASSEMBLY	1	*1(640036)
5-13-13	640005	O RING	1	P8 NBR
5-13-14	684128	CUSHION	4	

NOTE)*1:PARTS NUMBER MENTIONED ON O RING FOR SLEEVE ASSEMBLY ONLY.