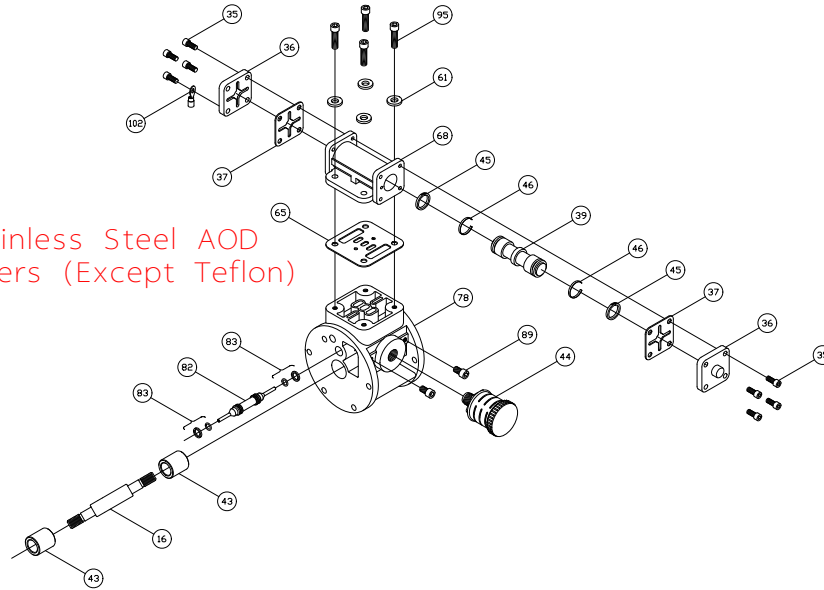




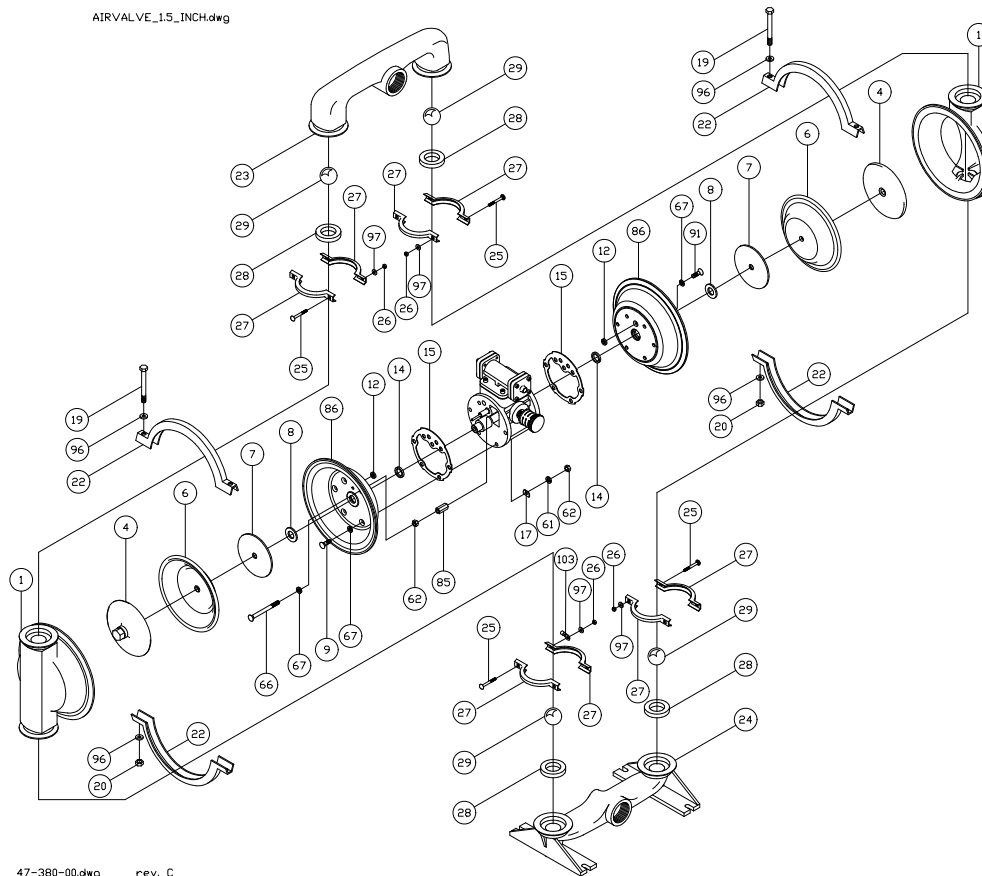
PRICE PUMP CO.

1.5AOD-SS.dwg rev. B

1-1/2" Stainless Steel AOD  
All Elastomers (Except Teflon)



AIRVALVE\_1.5\_INCH.dwg



47-380-00.dwg rev. C

Price Pump Co.

21775 Eighth Street East \* Sonoma, CA 95476-0329 \* (707) 938-8441 \* Fax (707) 938-0764



# 1 1/2" AOD Stainless Steel Parts List

(All Elastomers Except Teflon)

**PRICE® PUMP CO.**

AOD1.5SSplst.doc rev. F

Key #	Description	Quantity	Part #	Material
1	Chamber, Pump	2	44-687-10	Stainless Steel
4	Plate, Diaphragm (Outer)	2	44-904-10	Stainless Steel
6	Diaphragm	2	44-150-**	Customer Choice
7	Plate, Diaphragm (Inner)	2	46-852-00	Stainless Steel
8	Bumper	2	44-151-00	Polyurethane
9	Cap Screw	10	51-750-00	Stainless Steel
12 +	Seal	2	44-431-00	Molythane
14 +	Seal	2	44-432-00	Molythane
15 +	Gasket, Air Valve / Chamber	2	46-564-00	Rubber
16	Shaft, Pump	1	44-152-00	Steel - Nitrided
17	"D" Flat Washer	10	47-370-00	Stainless Steel
19	Cap Screw	4	51-679-00	Stainless Steel
20	Hex Nut	4	60-061-SS	Stainless Steel
22	Clamp Half	4	44-990-00	Stainless Steel
23	Manifold, Discharge	1	44-689-10	Stainless Steel
24	Manifold, Suction	1	44-688-10	Stainless Steel
25	Carriage Bolt	8	60-032-00	Stainless Steel
26	Hex Nut	8	60-059-00	Steel - Zinc Plated
27	Clamp, Half	8	44-946-00	Stainless Steel
28	Seat, ball Valve	4	44-145-**	Customer Choice
29	Ball Valve	4	44-144-**	Customer Choice
35	Cap Screw, Socket Head	8	51-640-00	Steel - Zinc Plated
36	Cap, Spool, Air Valve	2	45-743-40	Aluminum
37 +	Gasket, Cap	2	45-728-00	Polypropelene, 85 Duro
39 +	Spool, Air Valve	1	47-196-00	Phenolic
43 +	Sleeve, Bushing	2	44-186-00	Bronze
44 +	Muffler	1	44-284-66	Polypropylene
45 +	Piston Ring, Air Valve	2	44-427-00	Phenolic
46 +	Ring, Expander, Air Valve	2	44-537-00	Stainless Steel
61	Lock Washer	14	60-053-00	Stainless Steel
62	Hex Nut	11	51-743-00	Stainless - Zinc Plated
65 +	Gasket, Air Valve / Spool	1	47-348-00	Fiber
66	Flat SOC Cap	1	51-751-00	Oxide Coated Steel
67	O-ring	12	47-351-00	Buna
68	Housing, Spool	1	46-496-10	Aluminum, Anodized
78	Housing, Air Valve	1	46-495-10	Cylass
82 +	Pilot Spool	1	47-341-00	Stainless Steel
83 +	Spool Ring Assembly	2	47-463-00	Buna / Phenolic
85	Coupling Nut, Hex	1	46-533-00	Steel - Zinc Plated
86	Chamber, Air	2	47-342-04	Aluminum
89	Cap Screw	2	60-037-00	Stainless Steel
91	Cap Screw	1	60-036-00	Stainless Steel
95	Cap Screw, Socket Head	4	51-749-00	Stainless Steel
96	Washer	8	52-128-43	Stainless Steel
97	Washer	8	60-051-00	Stainless Steel
102	Terminal Ring	1	60-070-00	Tin
103	Terminal Ring	1	60-071-00	Tin

Air Valve Rebuild Kit 1 47-664-00

-Includes all parts with +

Elastomer Kit 1 44-808-\*\*

\*\* Elastomers:      00 – Neoprene      20 – Viton      60 – Santoprene  
                                 10 – Buna-N      30 – Nordel

Price® Pump Co.

21775 Eighth Street East \* Sonoma, CA 95476-0329 \* (707) 938-8441 \* Fax (707) 938-0764