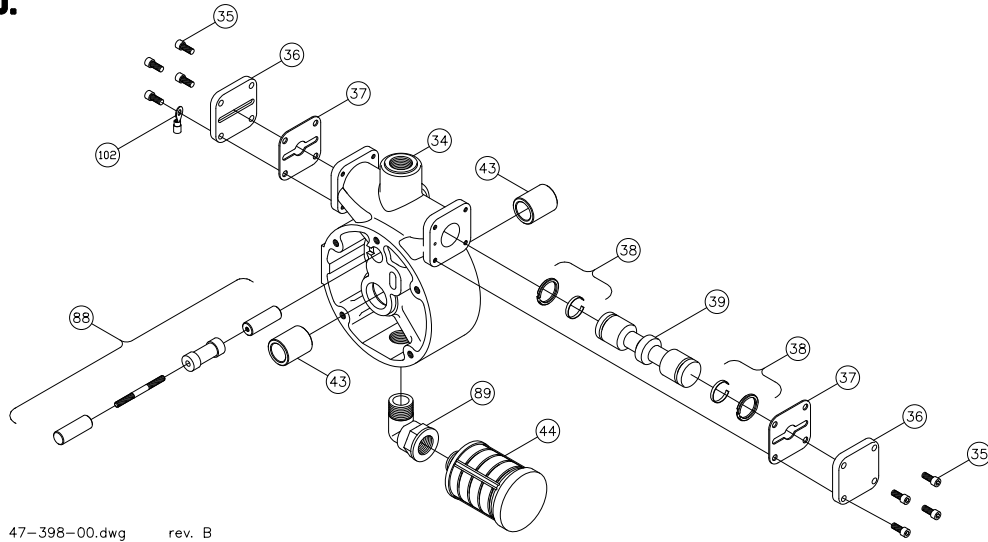




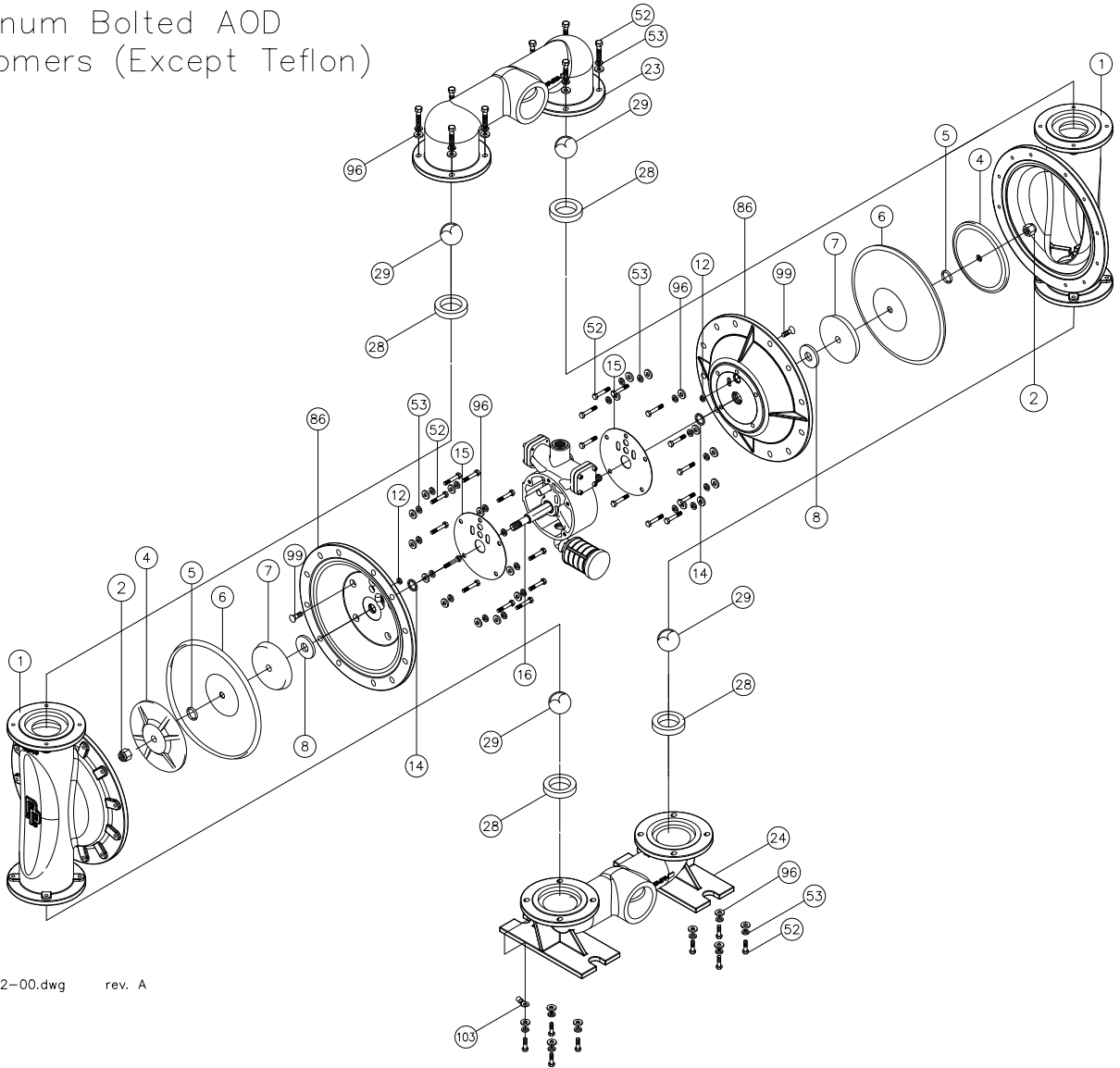
PRICE PUMP CO.

3AODB-AL.dwg rev. NC



47-398-00.dwg rev. B

3" Aluminum Bolted AOD  
All Elastomers (Except Teflon)



44-472-00.dwg rev. A



# 3" AOD Bolted Aluminum Parts List

(All Elastomers Except Teflon)

**PRICE® PUMP CO.**

AOD3BALplist.doc rev. A

<b>Key #</b>	<b>Description</b>	<b>Quantity</b>	<b>Part #</b>	<b>Material</b>
1	Chamber, Pump	2	44-473-56	Aluminum
2	Lock Nut	2	51-775-00	Steel - Zinc Plated
4	Plate, Diaphragm (Outer)	2	44-752-04	Aluminum
5	O-Ring	2	44-130-00	Neoprene
6	Diaphragm	2	44-101-**	Customer Preference
7	Plate, Diaphragm (Inner)	2	44-108-04	Aluminum
8	Bumper	2	44-106-00	Polyurethane
12 +	Seal	2	46-058-00	Molythane
14 +	Seal	2	44-372-00	Molythane
15 +	Gasket, Air Valve / Chamber	2	44-453-00	Lexide
16	Shaft, Pump	1	46-469-00	Steel - Nitrided
23	Manifold, Discharge	1	44-472-56	Aluminum
24	Manifold, Suction	1	44-471-56	Aluminum
28	Seat, Ball Valve	4	44-392-**	Customer Preference
29	Ball Valve	4	44-391-**	Customer Preference
34	Housing, Air Valve	1	47-339-04	Aluminum Anodized
35	Cap Screw, Socket Head	8	51-640-00	Stainless Steel
36	Cap, Spool, Air Valve	2	46-217-40	Aluminum
37 +	Gasket, Cap	2	46-218-00	Polyurethane
38 +	Piston Ring w/ Expander	2	44-366-00	Phenolic / Stainless
39 +	Spool, Air Valve	1	47-180-00	Phenolic
43 +	Sleeve, Bushing	2	44-120-00	Bronze
44 +	Muffler	1	44-127-66	Polypropylene
52	Cap Screw	40	60-024-00	Stainless Steel
53	Lockwasher	40	60-055-00	Stainless Steel
86	Chamber, Air	2	47-237-04	Aluminum
88 +	Pilot Spool, Air Valve	1	47-587-00	Phenolic / Stainless Steel
89 +	Elbow	1	44-128-00	Polypropylene
96	Flat Washer	40	49-015-00	Stainless Steel
99	Capscrew, Flat Socket Head	10	60-034-00	Alloy - Zinc Plated
102	Terminal Ring	1	60-070-00	Tin
103	Terminal Ring	1	60-071-00	Tin
	Air Valve Rebuild Kit			
	-Includes All Parts with +	1	47-665-00	
	Elastomer Kit	1	45-332-**	

\*\* Elastomers: 00 - Neoprene  
10 - Buna-N  
20 - Viton  
30 - Nordel  
60 - Santoprene