



1/2" AOD Polypropylene ATEX Compliant Parts List

(All Elastomers Except Teflon)

PRICE PUMP CO.

AOD.5P-ATEXplst.doc rev. C

Key #	Description	Quantity	Part #	Material
1	Chamber, Pump	2	45-725-65	Polypropylene w/Statkon
4	Plate, Diaphragm (outer)	2	45-741-00	Polypropylene-30% Glass
6	Diaphragm	2	46-066-**	Customer's Preference
7	Plate, Diaphragm (Inner)	2	45-742-00	Aluminum
8	Bumper	2	45-750-00	Polyurethane
16	Shaft, Pump	1	45-722-00	Steel- Nitrided
23	Manifold, Discharge	1	45-739-60	Polypropylene w/Statkon
24	Manifold, Suction	1	45-739-60	Polypropylene w/Statkon
28	Seat, Ball Valve, 1/2"	4	45-724-00	Polypropylene-30% Glass
29	Valve, Ball 3/4"	4	45-751-**	Customers Preference
30	Cap Screw	16	48-953-00	Steel - Zinc Plated
32	Hex, Nut	16	48-954-00	Steel - Zinc Plated
35	Cap screw, Socket head	8	51-640-00	Steel - Zinc Plated
36	Cap, Spool Housing	2	45-743-40	Aluminum
37 +	Gasket, Spool Cap	2	45-728-00	Polyurethane
39 +	Spool, Air Valve	1	47-195-00	Phenolic
43 +	Sleeve, Bushing	2	45-992-00	Bronze
44 +	Muffler	1	46-051-66	Polypropylene
45 +	Piston Ring, Air Valve	2	44-427-00	Phenolic
46 +	Ring, Expander, Air Valve	2	44-537-00	Stainless Steel
47	O-Ring			
	-Models using Santoprene	2	46-318-00	Teflon
	-Models using other Elastomers	2	46-359-**	Customer's Preference
52	Cap screw	4	60-057-00	Steel - Zinc Plated
53	Flat Washer	8	48-957-00	Steel - Zinc Plated
54	Hex Nut	8	48-958-00	Steel - Zinc Plated
55	Foot, Mounting	2	45-744-60	Polypropylene w/Statkon
56	Cap Screw	4	60-058-00	Steel - Zinc Plated
57	Cage, Ball Valve 1/2"	4	45-723-00	Polypropylene-30% Glass
58	Gasket	2	46-322-00	Teflon
59	O-Ring			
	-Models using Santoprene	2	46-052-00	Teflon
	-Models using other Elastomers	2	46-360-**	Customers Preference
60	Gasket Spacer	2	46-355-00	Buna-N
61	Hex Nut	4	48-958-00	Steel - Zinc Plated
63	Cap, Valve Body Exhaust	1	45-727-00	Polypropylene
64 +	Gasket, Valve Body Exht.	1	45-726-00	Lexide
65 +	Gasket, Air Valve / Spool	1	47-347-00	Fiber
66	Cap Screw	4	51-719-00	Stainless Steel
67 +	Elbow, Street	1	46-881-00	Nylon
68	Housing, Spool	1	47-309-04	Aluminum - Anodized
72 +	Ring, Retaining	4	47-321-00	Stainless Steel
73 +	Seal	2	44-431-00	Molythane
75 +	Ring, Retaining	2	46-054-00	Stainless Steel
76 +	Seal	2	46-058-00	Molythane
78	Housing, Air Valve	1	47-310-60	Polypropylene w/Statkon
82 +	Pilot Spool	1	47-340-00	Stainless Steel
83 +	Piston Ring Assembly	2	47-350-00	Buna / Phenolic
102	Terminal Ring	1	60-070-00	Tin
84	Teflon Gasket (Santoprene pumps only)	2	46-890-00	Teflon
	Air Valve Rebuild Kit			
	-Includes all parts with +	1	47-663-00	
	Seat & Cage Assembly	1	46-524-00	
	Elastomer Kit	1	46-440-**	

** Elastomers:
00 - Neoprene
10 - Buna-N
20 - Viton
30 - Nordel
60 - Santoprene

Price® Pump Co.

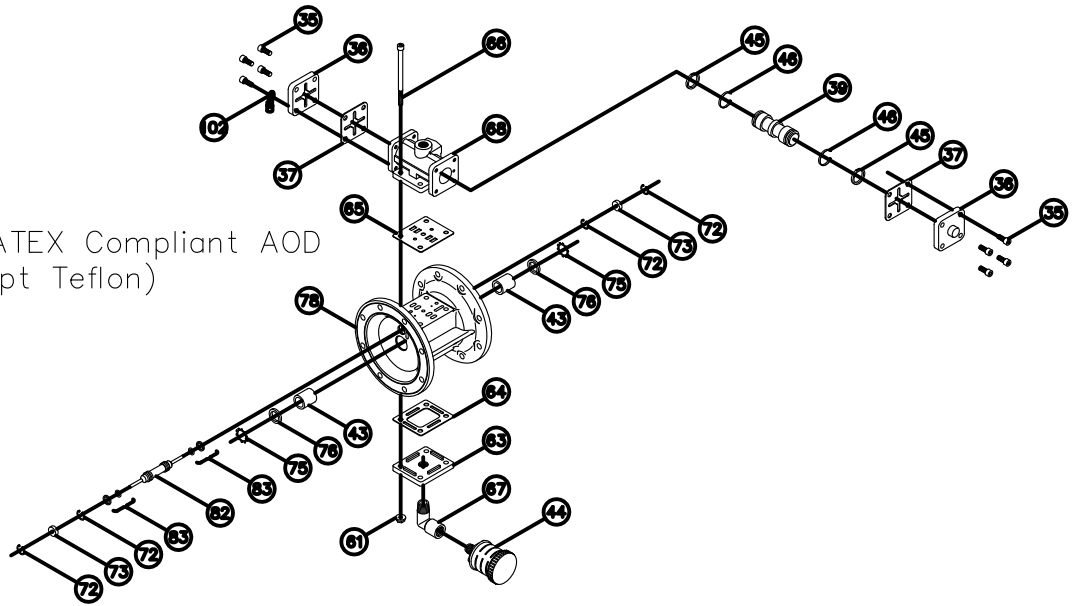
21775 Eighth Street East * Sonoma, CA 95476-0329 * (707) 938-8441 * Fax (707) 938-0764



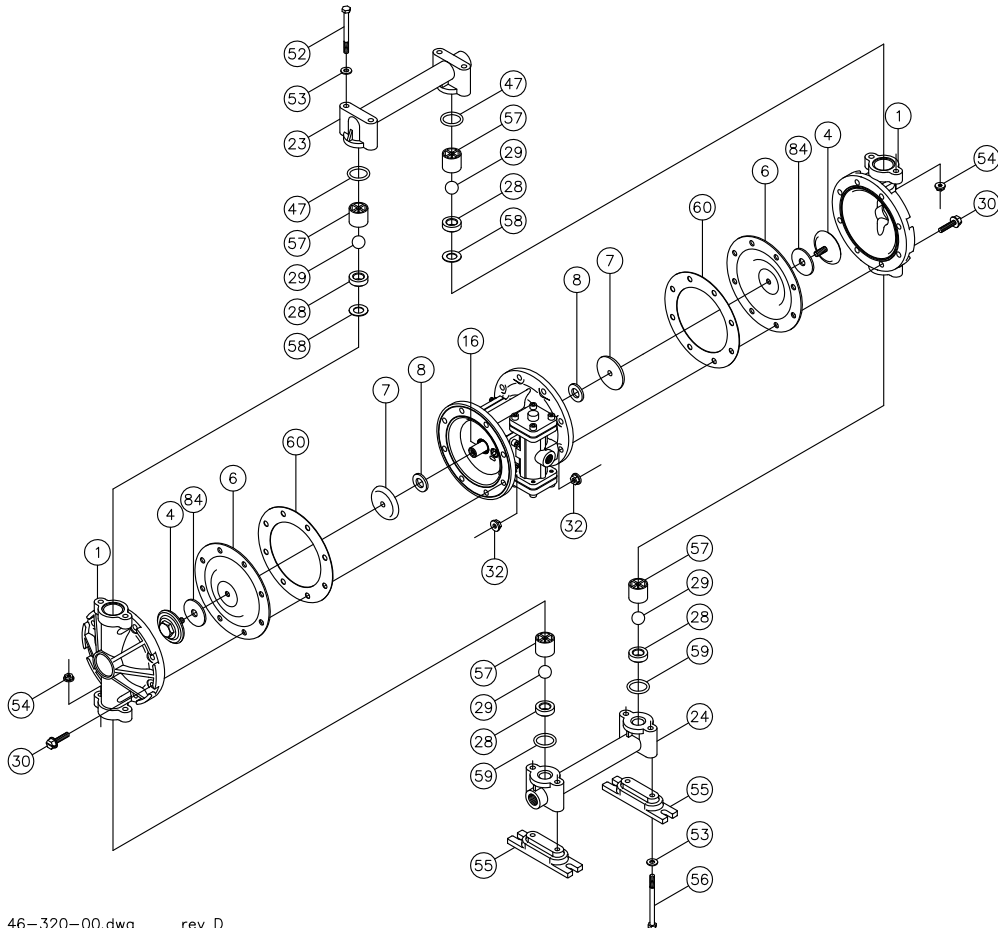
PRICE PUMP CO.

.5AOD-P-ATEX.dwg rev. -

1/2" Polypropylene ATEX Compliant AOD
All Elastomers (Except Teflon)



46-366-60.dwg rev. -



46-320-00.dwg rev D

Price Pump Co.

21775 Eighth Street East * Sonoma, CA 95476-0329 * (707) 938-8441 * Fax (707) 938-0764