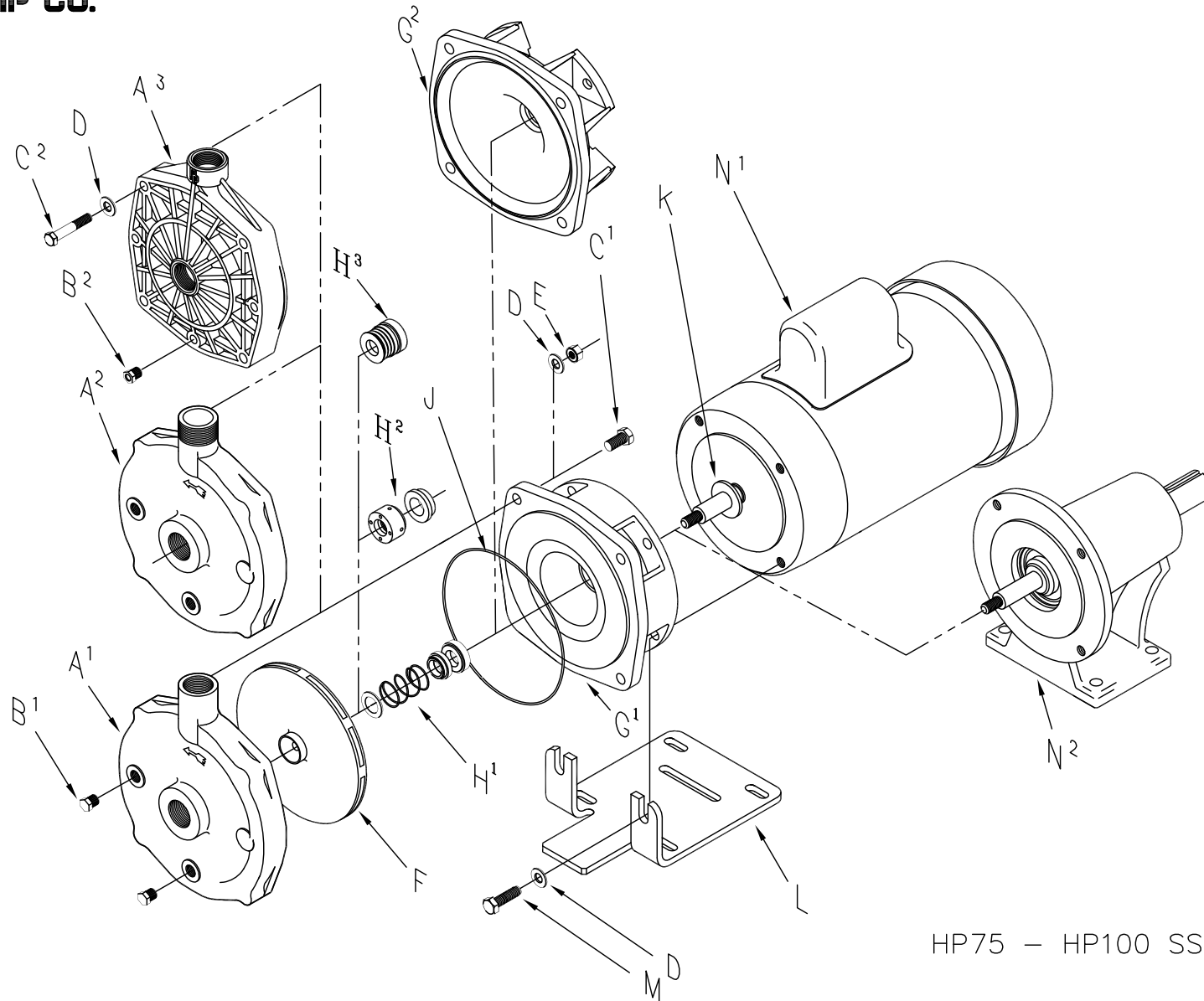




PRICE PUMP CO.

HP75-100\_(O-Ring)\_P.dwg rev. B



HP75 - HP100 SS/SC/AB/NN

Price® Pump Co.

21775 Eighth Street East \* Sonoma, CA 95476-0329 \* (707) 938-8441 \* Fax (707) 938-0764

**PRICE® PUMP CO.****HP75/HP100 (O-Ring Design) Parts List**

| <b>Key #</b>     | <b>Description</b> | <b>QTY.</b> | <b>HP75/100 SS&amp;SC:</b> | <b>HP75/100 AB:</b>       | <b>HP75 NN:</b>               |
|------------------|--------------------|-------------|----------------------------|---------------------------|-------------------------------|
| A.               | Volute HP75        | 1           | 0241(A <sup>1</sup> )      | 0229-0(A <sup>1</sup> )   | 8300NN(A <sup>3</sup> )       |
|                  | Volute HP100       | 1           | 0241-2(A <sup>2</sup> )    | 0229-2(A <sup>2</sup> )   | N/A                           |
| B.               | 1/8" Pipe Plug     | 2           | 0559(B <sup>1</sup> )      | 0558(B <sup>1</sup> )     | 8012BF(B <sup>2</sup> ) (1ea) |
| C.               | Volute Bolts       | 4           | 0579(C <sup>1</sup> )      | 0592(C <sup>1</sup> )     | 0723(C <sup>2</sup> )         |
| D.               | Washers            | 12          | N/A                        | N/A                       | 1137                          |
| E.               | Volute Nuts        | 4           | N/A                        | N/A                       | 1138                          |
| F.               | Impeller           | 1           | 0918SS-(dia.)              | 0918BR-(dia.)             | N/A                           |
|                  | Impeller CPVC      | 1           | 0918-(dia.)                | N/A                       | 0918-(dia.)                   |
| G                | Bracket            | 1           | 0238(SS)(G <sup>1</sup> )  | 0242(BR)(G <sup>1</sup> ) | 8019NN-1(G <sup>2</sup> )     |
| H <sup>1</sup> . | T.21 Viton         | 1           | 0553 (std)                 | 0553 (std)                | 0553                          |
| H <sup>2</sup> . | T.8 Viton          | 1           | 2394-PU                    | 2394-PU                   | N/A                           |
| H <sup>2</sup> . | T.9 Teflon         | 1           | 1150                       | 1150                      | N/A                           |
| H <sup>3</sup> . | T.6 Buna           | 1           | N/A                        | N/A                       | 0118 (std)                    |
| J.               | O-ring             | 1           | 3565                       | 3565                      | 0871                          |
| K.               | Slinger            | 1           | 0515                       | 0515                      | 0515                          |
| L.               | Base               | 1           | 0197                       | 0197                      | 0198                          |
| M.               | Bolts, Motor       |             |                            |                           |                               |
|                  | Upper              | 2           | 0579                       | 0579                      | 0588                          |
|                  | Lower              | 2           | 0724                       | 0724                      | 0673                          |
| N <sup>1</sup> . | Motor              | 1           | Specify P/N                | Specify P/N               | Specify P/N                   |
| N <sup>2</sup> . | Power Frame        | 1           | 5479                       | 5479                      | 5479                          |

**HP75 / HP100 Repair Parts Kits (O-ring Design)**

(Repair kits for SC pumps only)

| <u>P/N</u> | <u>Includes</u>                            | <u>P/N</u> | <u>Includes</u>                            |
|------------|--|------------|--|
| 0661SC-8   | 4.00" CPVC Imp., Viton O-ring, and Slinger | 0661SC-3   | 5.25" CPVC Imp., Viton O-ring, and Slinger |
| 0661SC-6   | 4.25" CPVC Imp., Viton O-ring, and Slinger | 0661SC-2   | 5.50" CPVC Imp., Viton O-ring, and Slinger |
| 0661SC-5   | 4.50" CPVC Imp., Viton O-ring, and Slinger | 0661SC-1   | 5.75" CPVC Imp., Viton O-ring, and Slinger |
| 0661SC-7   | 4.75" CPVC Imp., Viton O-ring, and Slinger | 0661SC     | 6.00" CPVC Imp., Viton O-ring, and Slinger |
| 0661SC-4   | 5.00" CPVC Imp., Viton O-ring, and Slinger |            |  |

**Note: Seal/Seat must be ordered in addition to repair kit****Standard Pump Configurations**

| Model: | Volute Material: | Bracket Material: | Impeller Material: |
|--------|------------------|-------------------|--------------------|
| SS     | 316SS            | 316SS             | 316SS              |
| SC     | 316SS            | 316SS             | CPVC               |
| AB     | Bronze           | Bronze            | Bronze             |
| NN     | Noryl            | Noryl             | CPVC               |

Price® Pump Co.

21775 Eighth Street East \* Sonoma, CA 95476-0329 \* (707) 938-8441 \* Fax (707) 938-0764