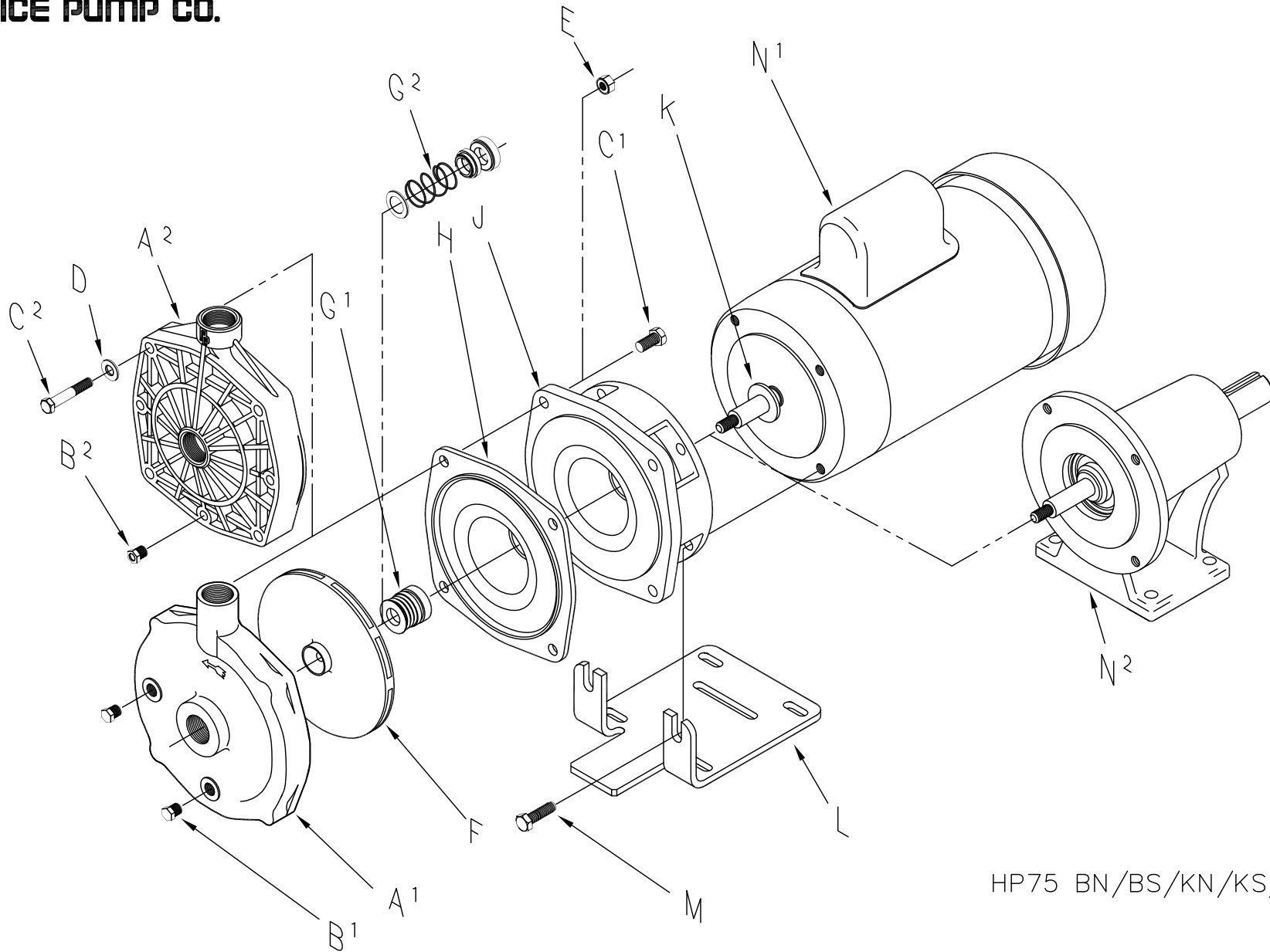




PRICE PUMP CO.



HP75 BN/BS/KN/KS/CN/CS

Price® Pump Co.

21775 Eighth Street East * Sonoma, CA 95476-0329 * (707) 938-8441 * Fax (707) 938-0764

**PRICE® PUMP CO.****HP75 (Gasket Design) Parts List**

Key #	Description	QTY.	HP75 BN/BS:	HP75 KN/KS:	HP75 CN / CS:
A.	Volute	1	0229(A ¹)	0229KP(A ¹)	8300CP(A ²)
B.	1/8" Pipe Plug	2	0558(B ¹)	0559(B ¹)	8012PF(B ²) (1ea.)
C.	Volute Bolts	4	0592(C ¹)	0588(C ¹)	1136(C ²)
D.	Washers	4	N/A	N/A	1137
E.	Volute Nuts	4	N/A	N/A	1138
F.	Impeller CPVC	1	0918-(Imp. Dia.)	0918-(Imp. Dia.)	0918-(Imp. Dia.)
	Impeller 316SS	1	0918SS-(Imp. Dia.)	0918SS-(Imp. Dia.)	0918SS-(Imp. Dia.)
G ¹ .	T.6 Buna (std)	1	0118	0118	0118
G ² .	T.21Viton	1	0553	0553	0553
H.	Gasket, EPDM	1	0232	0232	0232
J.	Bracket	1	0228	0228	0228
K.	Slinger	1	0515	0515	0515
L.	Base	1	0198	0198	0198
M.	Bolts, Motor				
	Upper	2	0583	0583	0583
	Lower	2	0588	0588	0588
N ¹ .	Motor	1	Specify P/N	Specify P/N	Specify P/N
N ² .	Power Frame	1	5479	5479	5479

HP75 Repair Parts Kits (Bell Gasket Design)

(Repair kits for BN, KN, & CN pumps only)

<u>P/N</u>	<u>Includes</u>	<u>P/N</u>	<u>Includes</u>
0661-8	4.00" CPVC Imp., EPR Gasket, and Slinger	0661-3	5.25" CPVC Imp., EPR Gasket, and Slinger
0661-6	4.25" CPVC Imp., EPR Gasket, and Slinger	0661-2	5.50" CPVC Imp., EPR Gasket, and Slinger
0661-5	4.50" CPVC Imp., EPR Gasket, and Slinger	0661-1	5.75" CPVC Imp., EPR Gasket, and Slinger
0661-7	4.75" CPVC Imp., EPR Gasket, and Slinger	0661	6.00" CPVC Imp., EPR Gasket, and Slinger
0661-4	5.00" CPVC Imp., EPR Gasket, and Slinger		

Note: Seal/Seat must be ordered in addition to repair kit.**Standard Pump Configurations**

Model:	Volute Material:	Bracket Material:	Impeller Material:
BN	Bronze	Cast Iron	CPVC
KN	Kanigen	Cast Iron	CPVC
CN	CPVC	Cast Iron	CPVC
BS	Bronze	Cast Iron	316SS
KS	Kanigen	Cast Iron	316SS
CS	CPVC	Cast Iron	316SS

Price® Pump Co.

21775 Eighth Street East * Sonoma, CA 95476-0329 * (707) 938-8441 * Fax (707) 938-0764