



SP 150 CI, CI/SF, SS Parts List

PRICE® PUMP CO.

SP plist.doc rev. 8

Key #	Description	Quantity	Cast Iron	316SS
A.	Volute	1	0962	0967
B.	Impeller	1		
	Dia. / Vn			
	4.75-.50		3264-475A	3272-475A
	4.75-.44		3264-475B	3272-475B
	4.75-.25		3264-475D	3272-475D
	4.75-.12		3264-475E	3272-475E
	4.63-.12		3264-463E	3272-463E
	4.25-.12		3264-425E	3272-425E
	4.25-.07		3264-425F	3272-425F
	Seal / Seat:	1		
C1.	Type 21		1112	0549
C2.	Type 9		0551	0551
	Seat pin f/ T9 seal not shown	1	0890	0890
D.	Diffuser	1	0963	0968
E.	Diffuser Gasket	1	0966 (syn. fiber)	0971(Teflon)
F.	Diffuser Bolts	3	0977	0977
G.	Volute Gasket	1	0965 (syn. fiber)	0970 (Teflon)
H.	Bracket	1	0964	0969
J.	Volute Bolts	5	0911	0976
K.	Shaft w/ setscrews	1	0270-1	0270-1
M.	Motor Bolts	4	0588	0588
N.	1/8" Pipe Plug	1	0557	0559
P.	Slinger	1	0522	0522
R1.	Motor Specify P/N			
R2.	Power Frame		5478	5478
R3.	Air Motor Specify P/N			
S	1-11x1/2 Pipe Plug (CI only)	1	0562	N/A

SP150 Repair Parts Kit

Repair Kits includes: Gasket, Shaft w/set screws and Slinger

All Iron - P/N 0987

Stainless Steel - P/N 0989

Note: Seal/seat must be ordered in addition to repair kit.

3/4" T.21 Buna for Cast Iron (std.), T.21 Fluorocarbon for SS (std.)

AI = All Iron SS = Stainless Steel

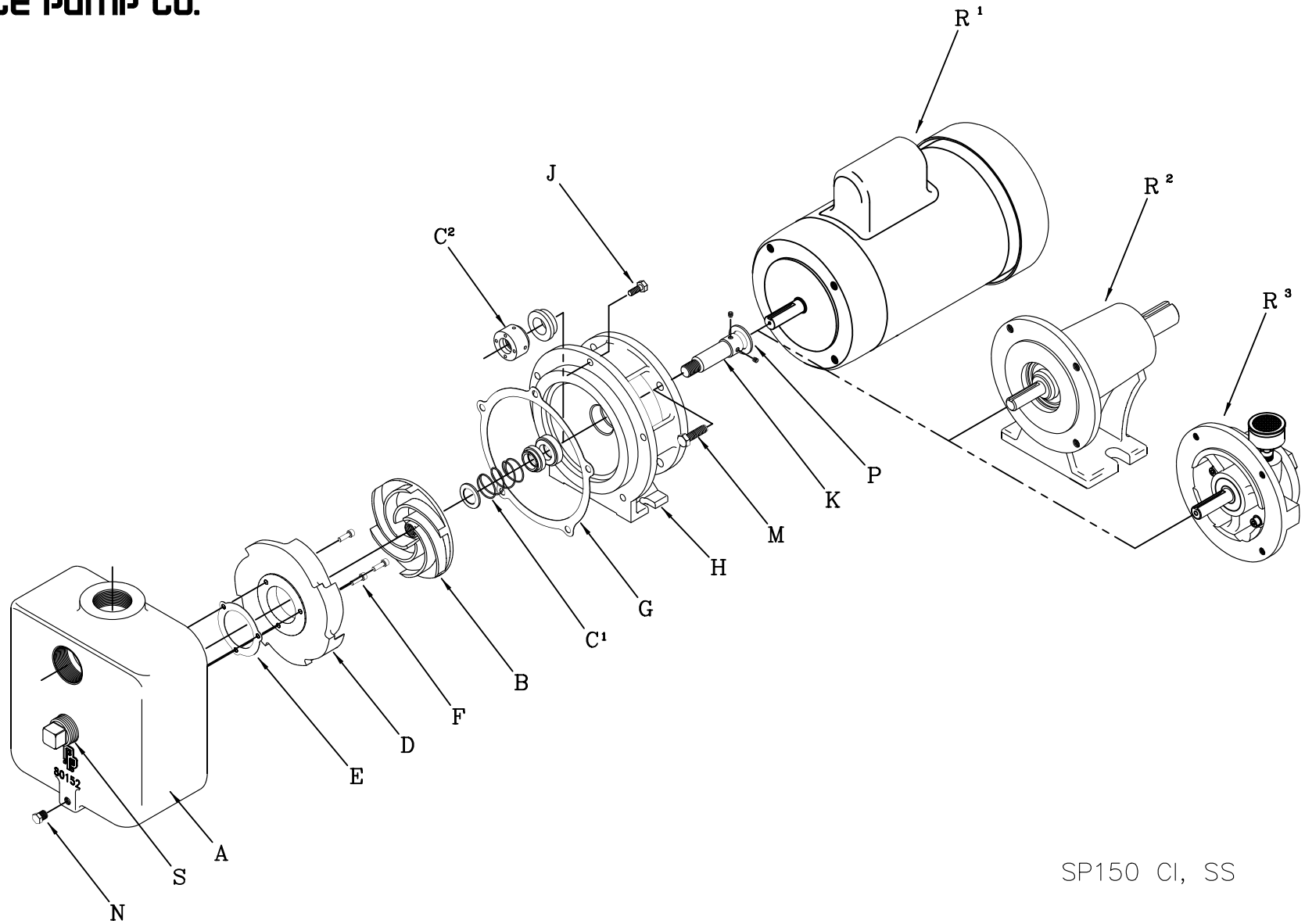
SF = Stainless Fitted Vn = Vane Height

Price® Pump Co.

21775 Eighth Street East * Sonoma, CA 95476-0329 * (707) 938-8441 * Fax (707) 938-0764



PRICE® PUMP CO.



SP150 CI, SS

Price® Pump Co.

21775 Eighth Street East * Sonoma, CA 95476-0329 * (707) 938-8441 * Fax (707) 938-0764